

HCT-1000



HCT-1000
User Guide

HCT-1000
Betriebsanleitung

HCT-1000
Manuel d'utilisation

HCT-1000
Manuale dell'utente

HCT-1000
Guía del usuario

METCAL
ELECTRONICS BENCH TOOL SOLUTIONS
www.metcal.com

7000-2931_B

INTRODUCTION

The HCT-1000 is a hand-held convection rework tool. It features digital controls, multiple modes of operation, internal or external feedback control and integrated vacuum pick-up for component placement and removal. Additionally, this unit may be connected to the PCT-1000 as part of the Modular Rework System.

CONTENTS

1.	Safety & Warranty	1
2.	Specifications	2
3.	Unit identification	3
4.	Setup and unit operation	4
5.	Additional Features	7
6.	Nozzle Information	8
7.	Operation	8
8.	Troubleshooting	9
9.	Maintenance	9

SAFETY

Intended Use:

WARNING: Use of this equipment in ways other than those described in this User Guide may result in injury to persons or damage to property. Use this equipment only as described in this User Guide.

OK International cannot be responsible for injuries or damages resulting from unintended applications of its equipment. Unintended uses may result from taking the following actions:

- Making changes to equipment that has not been recommended in the User Guide
- Using incompatible or damaged replacement parts
- Using unapproved accessories or auxiliary equipment

Safety Precautions:

- Do not operate this unit in excess of maximum ratings/settings
- Always wear appropriate personal protective clothing or apparel
- This equipment is for indoor use only

Warranty

OK International warrants the HCT-1000 hand-held convection rework tool power supply against any defects in materials or workmanship for one (1) year from the date of purchase by the original owner.

OK International warrants the HCT-1000 hand-held convection rework tool hand-piece (HCT-HV1) against any defects in materials or workmanship for one (1) year from the date of purchase by the original owner.

OK International warrants the HCT-1000 heater assembly (HCT-HTRASSY) against any defects in materials or workmanship for ninety (90) days from the date of purchase by the original owner.

This Warranty excludes normal maintenance and shall not apply to any opened, misused, abused, altered or damaged items. If the product should become defective within the warranty period, OK International will repair or replace it free of charge at its sole option. The replacement item(s) will be shipped, freight prepaid, to the original purchaser. The warranty period will start from the date of purchase. If the date of purchase cannot be substantiated the date of manufacture will be used as the start of the warranty period

2. HCT-1000 SPECIFICATIONS

Size	9" x 7" x 6" (229 mm x 178 mm x 152 mm)
Weight	12lbs (5.44 Kg)
Input Voltage	100-240 VAC, 50/60 Hz
Rated Power	600W
Pollution Degree Category	II
Storage Temperature	-10°C to 60°C (14°F to 140°F)
Operating Temperature	0°C to 50°C (32°F to 122°F)
Air Pump Type	Diaphragm
Air Flow	5-25 l/min
Vacuum Pump	15" Hg (381 mm Hg)
Control Temperature	450°C
Surface Resistivity	10 ⁷ Ω to 10 ¹¹ Ω
Noise Level	< 55 dB
Certifications	TUV, CE
Max. Relative Humidity	80% for temperature up to 31°C (87.8°F) Decreasing linearly to 50% relative humidity at 40°C (104°F)
System Modes	HCT, MRS
Operational Modes	Setup, Run, Manual, Active Setup
Memory Locations	50
Display	LCD 20 X 4 display segments

System Includes	Description
HCT-PS1000	HCT-1000 Power Supply
HCT-HV1	Hand-piece with integral vacuum, cord and connector
HCTA-TH1	Hand-piece tool Holder
HNA-1	Nozzle Adapter
HCTA-NW1	Nozzle Wrench
HCTA-VC-KIT	Vacuum Cup Kit (4), 3/16", 1/4", 5/16", 7/16"
AC-TCK-36-36	Thermocouple, 36 AWG
HCTA-CC	Communications Cable, 4'
HN-J0005	Nozzle 5mm Diameter
Accessories	
HCTA-VC24	Vacuum Cup, 3/32" (2.38mm)
HCTA-VC50	Vacuum Cup, 3/16" (5.00mm)
HCTA-VC64	Vacuum Cup, 1/4" (6.4mm)
HCTA-VC80	Vacuum Cup, 5/16" (8mm)
HCTA-VC11	Vacuum Cup, 7/16" (11mm)
AC-TCK-40-36	Thermocouple, 40 AWG
HCT-HTRASSY	Heater Assembly
HCT-FS2	Footswitch, Dual, HCT-1000
HCT-NC	Nozzle Carrier, HCT-1000 nozzles

3. Unit Identification
Figure 1 HCT-PS1000 Power Supply

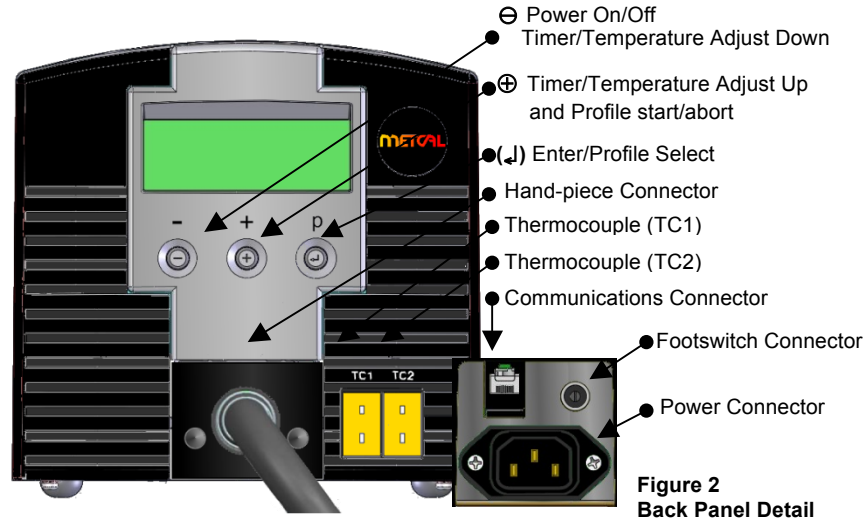


Figure 3: Run Mode, Before Profile Start

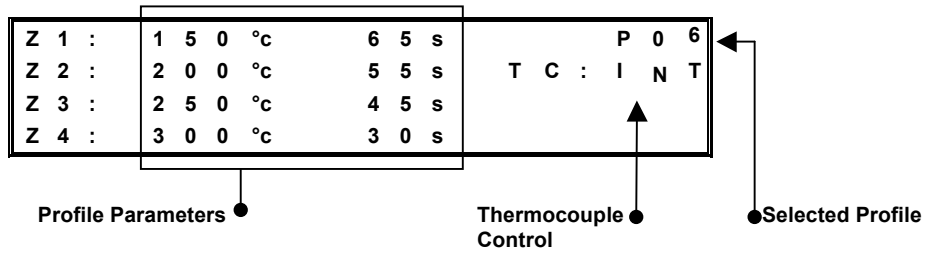
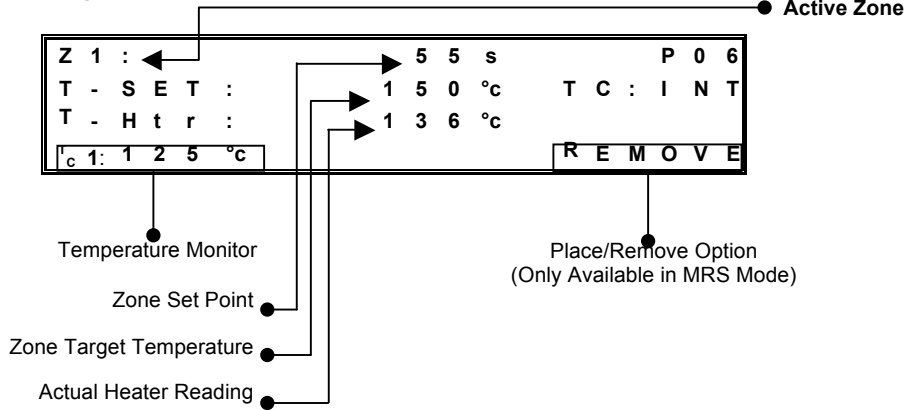


Figure 4: Run Mode, After Profile Start, MRS Mode



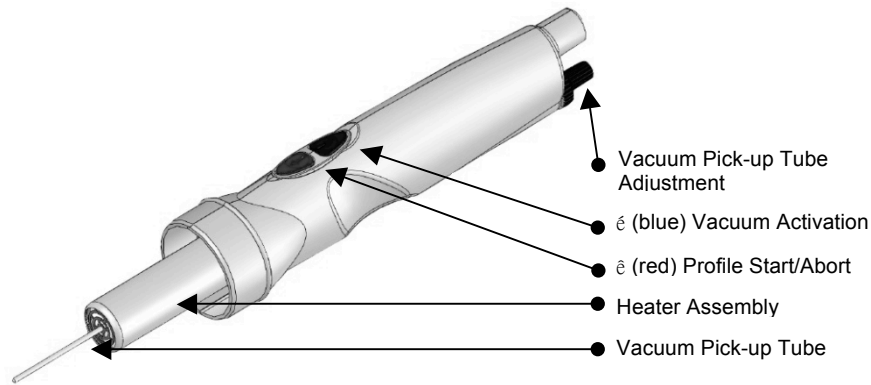


Figure 5 HCT-HV1 Hand-piece Assembly

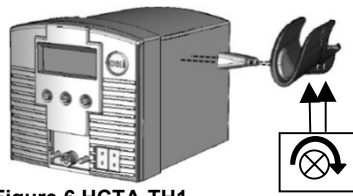


Figure 6 HCTA-TH1



Figure 7

4. Setup and unit operation

1. Basic unit setup

1. Connect the hand-piece assembly, HCT-HV1, to the power supply.
2. Plug the power cord into the power connector (Figure 2). Plug the power cord into a grounded wall socket of the rated input line voltage.
3. Turn On the unit by pressing the Power button \ominus momentarily.
4. To Abort a Profile (to the Cool-Down zone*) press and hold the \downarrow (red) on the footswitch or \downarrow (red) on the hand-piece down while in Run Mode.
5. Once the cool zone is finished, turn off the unit by pressing the Power button \ominus momentarily. **Note** ~ you must be out of set-up mode in order to do this. I.e. no flashing numbers on the display.

2. System Mode Selection

The HCT-1000 has two system modes of operation.

- The first mode is **HCT**. In this mode, the HCT-1000 is used as a standalone handheld convection rework tool.
- The second mode is **MRS**. In this mode, the HCT-1000 is used as part of a **Modular Rework System**. The unit is connected via cable to a PCT-1000 and may be used with the ATH-1100A Adjustable Tool Holder. In this mode the HCT-1000 provides timing control for both units and the ATH-1100A allows repeatable place and remove operations.
- Plug the Communications Cable into the Communication Connector (Figure 2 above) on the HCT-1000 and the PCT-1000. When connected in MRS mode the time setting on the PCT-1000 will display "--".
- Selection of the System mode is made in Setup mode, refer to section 3.1. Additional operational options are available, refer to section 3.5.

3. Operational Mode Selection

The HCT-1000 has four operational modes. The operational modes are Setup, Run, Manual and Active Setup. The Setup mode is for modifying system or profile parameters. The Run mode is for operating the unit with a profile that uses four zones of heating. The Manual mode is for operating the unit with a single zone of heat and no time limit. The Active Setup mode allows for the changing of parameters within a running profile.

1. Setup Mode

1. Press the Mode button (↵) once to start "P:" flashing
2. Use the ⊕ / ⊖ buttons to scroll through the profiles
3. Press (↵) to select the desired profile
4. Press and hold (↵) for 3 seconds to activate program mode (first temperature in zone 1 will flash).
5. **Run Mode setup; proceed to step 3.1.6.1; Manual Mode setup proceed to step 3.1.7.1.**

6. Run Mode Setup

1. Use the ⊕ / ⊖ buttons to change the temperature to the desired value. (**Note:** continually pressing either the ⊕ or ⊖ buttons for 5 seconds will change the count up/down in an accelerated mode)
2. When the value is set, press (↵) to move to the next parameter.
3. Repeat steps 3.1.6.1 & 3.1.6.2 until profile is programmed. **Note:** In the Cool-Down Zone you can only modify the Time parameter
4. Proceed to step 3.1.8.

7. Manual Mode Setup

1. Use the ⊕ / ⊖ buttons to change the temperature to the desired value. (**Note:** continually pressing either the ⊕ or ⊖ buttons for 5 seconds will change the count up/down in an accelerated mode)
2. Set the Time for Zone 1 to a value greater than 300 seconds. The display will now show the word MANUAL and Z2, Z3, Z4 will no longer be shown on the display. **Note:** Manual mode profiles do not have a time requirement and once activated will run until the profile is stopped. However, during the cool zone, the profile can be restarted at any time by pressing ⊕ (or the red button on the footswitch or handpiece)

8. Press (↵) to move to the next parameter. This is the **HCT** or **MRS** option. Use ⊕ or ⊖ to switch between **HCT** or **MRS** or press (↵) to skip
9. Press (↵) to move to the next parameter. This is the Internal or External TC option. Use ⊕ or ⊖ to switch between **Int** or **TC1** or press (↵) to skip. **Note:** When TC1 is selected, TC1 becomes the master thermocouple and provides feedback to the power supply.
10. Press (↵) to move to the next parameter. This is the Airflow option (**AF**). Use ⊕ to increase or ⊖ to decrease the airflow. The range is adjustable from 1-10. **Note:** The Air Pump will turn on while adjusting the Airflow. Press (↵) to skip.
11. Press (↵) to move to the next parameter. This is the Security Lockout function. HCT-1000 systems are supplied with a lockout feature to prevent operators from editing profiles etc. To activate this function, a 4 digit number must be entered within a program setup as explained below. If the pass code is set at 0000 the programs are not protected.
 1. When C: 0000 appears on the screen, you can select a 4 digit pass code.

2. When the first digit flashes, use the ⊖ or ⊕ buttons to select the preferred number.
3. Press (↵) and repeat step 2 for all digits.
4. Press-and-hold (↵) to quit code entry.
5. From this point on you can only edit profiles after entering the correct code

Security Lockout Notes:

- You can 'turn off' the pass-code protection by 1st going into Program mode, entering the current code then setting the new code to '0000'
– All users now have full access to all program functions.
- One code protects all profiles, not individual profiles.
- If the Pass-code is lost or forgotten then the Master Reset function will restore the factory defaults **including erasing the pass-code**

Master Reset.

To reset the unit it to factory settings, the following procedure can be used.

- Press and hold ⊕ and (↵)
- Whilst keeping ⊕ and (↵) depressed, switch the unit on using ⊖

PLEASE NOTE: Use of the master reset will erase all stored programs.

12. Once required changes have been made, press and hold (↵) for 3 seconds until the LCD stops flashing, to set the profile to memory and exit setup mode. This operation can be actioned at any step while in Setup Mode.

2. Run & Manual Mode

1. Turn on the unit by pressing the Power button ⊖.
2. HCT start-up message and Software Rev # are momentarily displayed before displaying last-used profile settings. **Note:** The unit may display MRS if that was the last operational state.
3. **IMPORTANT** ~ If "TC: TC1" is displayed on the panel (see Figure 4 above) ensure that the external thermocouple is suitably positioned in the heat path. Neglecting to do this could result in premature heater failure and possible heat damage to items in the heater path.
4. Select the desired profile.
5. When the chosen profile is shown, press (↵) to select the desired profile
6. To start the profile, depress the ↓ (red) on the footswitch or ↓ (red) on the hand-piece once
7. As the profile runs you will see the current zone, time remaining, heater value and temperature set point. Manual mode profiles will display "Manual" and will not display time remaining.
8. To quit the profile, simply depress the ↓ (red) on the footswitch or ↓ (red) on the hand-piece. The profile will skip to the Cool-Down Zone. During the cool zone, the profile can be restarted at any time by pressing a red button on the footswitch or handpiece.

3. Active Setup Mode

1. Select Profile to be modified as per steps 1 → 3 above
2. To activate Active Setup Mode press (↵) for 3 seconds then depress the ↓ (red) on the footswitch or ↓ (red) button on the hand-piece once the temperature in Z1 has started to flash
3. Profile will start to run and 'SETUP' will be displayed on LCD
4. To modify the current zone set-temperature use the ⊕ / ⊖ buttons
5. To *increase* the time of the current zone press and hold the (↵) button as the zone ends. Instead of stepping onto the next zone the current zone

time-setting will increment the original setting for as long as you keep the (↓) button depressed. Releasing the button will allow the profile to progress onto the next Zone.*

6. To *decrease* the zone time, depress the ↓ (red) on the footswitch or ↓ (red) button on the hand-piece at the desired time. This will set the time to memory and advance the profile into the next zone.** **Note:** Steps 3.4.5 & 3.4.6 can be carried out simultaneously
7. Once required changes have been made, allow the profile to finish. Press and hold (↓), until the LCD tops flashing, to set the profile to memory and exit setup mode
8. ***Note:** feature not available in Cool-Down Zone
9. ****Note:** This feature is NOT available in the Cool-Down Zone. Pressing a red button on the footswitch or handpiece will return you to Zone 1 again. If Cool Zone time adjustments are required they must be made in Run Mode Setup (step 3.1.5)

5. Additional Features

1. Integrated Vacuum Pick-up

The vacuum pick-up tube has 1.0" (25.4 mm) of travel and is spring loaded to prevent damage to components during attachment.

Use an appropriate sized vacuum cup to make a seal on the component.

2. HCT System Mode

1. Press the ↑ (blue) on the footswitch or on the hand-piece once to activate the vacuum pump and again to deactivate.

3. MRS System Mode – Place or Remove selection

1. To toggle between Place and Remove; press and hold the ↑ (blue) on the footswitch or on the hand-piece for 3 seconds.

4. MRS System Mode - Place

1. Press the ↑ (blue) on the footswitch or on the hand-piece once to activate the vacuum pump and again to deactivate.

5. MRS System Mode - Remove

1. The integrated vacuum pick-up will automatically activate the vacuum and retract the vacuum pick-up tube at the completion of Zone 4 (Z4) in Run mode. The vacuum will be active for the duration of the ZC (Cool-Down Zone).

6. MRS System Mode – Positive Vacuum Indicator

1. VAC will be displayed when the vacuum has been activated while in Setup or Run Mode (Figure 4). VAC will blink when a positive seal has been achieved with the component.

7. External Thermocouple Control

1. When using the HCT-1000 with the external thermocouple (TC1 see Figure 4 above), TC1 is used to provide external feedback control. Ensure that the thermocouple is placed in the heat path. Failure to do so may result in an error or damage to the component. TC2 can be used for temperature monitoring (refer to 1.5.7)
2. When using the HCT-1000 with external thermocouples in MRS mode, TC1 on the HCT-1000 becomes the master thermocouple and is used to provide external feedback for the entire system. TC2 on the HCT-1000 and TC1 & TC2 on the PCT-1000 can be used for temperature monitoring only (refer to 1.9).

8. Temperature Monitoring

1. While using the HCT-1000 with the internal thermocouple (INT see Figure. 3 above), TC1 and TC2, the external thermocouples, may be used to monitor temperature.
2. Attach a thermocouple to TC1 and/or TC2 and attach to the area to be monitored. When attached, the appropriate thermocouple will be displayed (see Figure 4 above).

9. TC1 Input calibration.

1. TC1 Input calibration is possible using the following procedure.

- Connect a calibrated temperature input control box to TC1
- Run a complete profile to ensure the units internal temperatures are stable.
- To enter calibration mode, press and hold the \ominus and \downarrow buttons for five seconds.
- This will enter you into a calibration mode.
- Adjust temperature to suit external calibration box using + and – buttons.
- Press \downarrow to return to normal run mode.

6. Nozzle Attachment

1. Secure the Nozzle Adapter (HNA-1) to Heater Assembly

1. Loosen clamp screw counterclockwise (Figure 6, 1)
2. Close the clamp (Figure 6, 2).
3. Slide the Nozzle Adapter up the heater assembly (Figure 5) until it stops.
4. Tighten the clamp screw clockwise (Figure 6, 1) for firm fit of the adapter to the heater assembly. Once adjusted, removing the adapter is done by opening the clamp and sliding the adapter off the heater assembly.

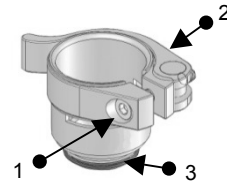


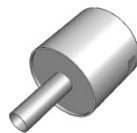
Figure 8: Nozzle Adapter (HNA-1)

2. Nozzle to Nozzle Adapter

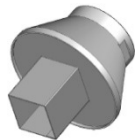
1. Select the proper nozzle for the application.
2. To attach; screw the nozzle to the nozzle adapter (Figure 6, 3); tighten clockwise with Nozzle Wrench.
3. To remove; unscrew the nozzle from the adapter (Figure 6, 3); loosen counterclockwise with Nozzle Wrench.

3. Nozzle Selection

1. Select the appropriate sized nozzle for the application. This is only a sample of the available nozzles. Please refer to the HCT-1000 Nozzle Selection Guide or visit our website www.metcal.com for the complete selection.



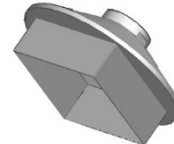
HN-J0005,
5.0MM



HN-B1010
10MM x 10MM



HN-1818
18MM x 18MM



HN-B4040,
40MM x 40MM

7. Operation

1. De-Soldering Components using convection heat

1. Select the proper nozzle, and secure it to the adapter.

2. Set the desired profile.
 3. Move the nozzle close to the component leads; maintain 3-5 mm distance. Use the hot air to melt the solder
 4. When solder is molten, use the integrated vacuum, tweezers or other suitable tool to remove the component from the circuit board
2. **Soldering Components using convection heat**
1. Choose the proper nozzle, secure it to the adapter.
 2. Apply the right amount of solder to the circuit board; position the component on the circuit board.
 3. Set the desired profile.
 4. Move the nozzle closer to the component leads, blow hot air onto the leads and melt the solder.

8. Troubleshooting

1. Unit does not power ON
 - Check the power cord
 - Check to see that you have mains voltage
2. **OH** displayed on the LED screen
 - Unit has exceeded the internal safety cut-off
 - Allow unit to cool
 - Check placement of thermocouple (if used)
 - Reset the unit by cycling the power
3. **TCFAULT** displayed on LED screen
 - Check location of thermocouple
 - Ensure the thermocouple is firmly inserted into the correct TC connector
 - Replace thermocouple if problem persists
4. Flashing zone and temperature parameters while in Run Mode
 - Indicates the unit cannot meet the programmed time and temperature as set

9. Maintenance

The Hand-piece (HCT-HV1) will be part of OK International's Service Exchange Program or the heater assembly (HCT-HTRASSY) can be purchased separately as a replacement part.

Please visit OK International's web page (www.metcal.com) where you will find additional information on systems, accessories, technical notes, and more.

EINFÜHRUNG

Das Heißluftsystem HCT-1000 ist ein tragbares Reworksystem. Es hat eine Digitalanzeige, mehrere Betriebsmodi, interne oder externe Rückkopplungssteuerung und integrierte Vakuumaufnahme zur Entfernung und Platzierung. Des Weiteren kann dieses System mit der PCT-1000 verbunden werden und wird so zu einem modularen Reworksystem.

INHALT

1.	Sicherheit und Garantie	10
2.	Technische Daten	11
3.	Beschreibung der Symbole	12
4.	Setup und Inbetriebnahme	13
5.	Weitere Leistungsmerkmale	17
6.	Montage der Düse	18
7.	Betrieb	19
8.	Problembhebung	19
9.	Instandhaltung	19

SICHERHEIT

Verwendungszweck:

WARNUNG: Wenn das Gerät anders verwendet wird, als in dieser Betriebsanleitung beschrieben, besteht die Gefahr von Personen- und Sachschäden. Verwenden Sie dieses Gerät nur im Einklang mit der Beschreibung in dieser Betriebsanleitung.

OK International haftet nicht für Verletzungen oder Schäden, die aufgrund einer zweckfremden Verwendung dieses Gerätes entstehen. Eine zweckfremde Verwendung schließt auch Folgendes ein:

- Veränderungen am Gerät, die in der Betriebsanleitung nicht empfohlen werden
- Verwendung von nicht kompatiblen oder beschädigten Ersatzteilen
- Verwendung von nicht zugelassenen Zubehöerteilen oder Hilfsgeräten

Vorsichtsmaßnahmen:

- Dieses Gerät darf nicht außerhalb der maximalen Nennwerte/Einstellungen betrieben werden
- Immer geeignete Schutzkleidung tragen
- Dieses Gerät ist nur zur Verwendung in Gebäuden bestimmt

Garantie

OK International gewährt für das Netzteil des tragbaren HCT-1000-Konvektions-Reworksystems hinsichtlich Material- oder Verarbeitungsmängel eine Garantie von einem (1) Jahr, gerechnet ab Datum des Kaufs durch den ursprünglichen Eigentümer.

OK International gewährt für den Lötgriffel (HCT-HV1) des tragbaren HCT-1000-Konvektions-Reworksystems hinsichtlich Material- oder Verarbeitungsmängel eine Garantie von einem (1) Jahr, gerechnet ab Datum des Kaufs durch den ursprünglichen Eigentümer.

OK International gewährt für das Heizelement (HCT-HTRASSY) des HCT-1000 hinsichtlich Material- oder Verarbeitungsmängel eine Garantie von neunzig (90) Tagen, gerechnet ab Datum des Kaufs durch den ursprünglichen Eigentümer.

Diese Garantie schließt die normale Wartung aus und gilt nicht für geöffnete, unsachgemäß oder zweckentfremdet verwendete, modifizierte oder beschädigte Geräte. Wenn innerhalb des Garantiezeitraums Mängel am Produkt auftreten, repariert oder ersetzt OK International es kostenlos nach eigenem Ermessen. Reparierte bzw. ausgetauschte Teile werden an den Originalkäufer geliefert, die Versandkosten trägt OK International. Der Garantiezeitraum beginnt ab Zeitpunkt des Kaufs. Wenn das Kaufdatum nicht nachgewiesen werden kann, gilt das Herstellungsdatum als Beginn des Garantiezeitraums.

2. TECHNISCHE DATEN ZUM HCT-1000

Maße	229 x 178 x 152 mm
Gewicht	5,44 kg
Eingangsspannung	100 V AC, 50/60 Hz
Nennleistung	600 W
Verschmutzungsgrad-Kategorie	II
Temperaturbereich für die Aufbewahrung	-10 °C bis 60 °C
Umgebungstemperatur bei Betrieb	0 °C bis 50 °C
Luftpumpe	Membran
Luftstrom	5 – 25 l/min
Vakuumpumpe	381 mm Hg
Einstellbare max. Temperatur	450°C
Spezifischer Oberflächenwiderstand	10 ⁷ Ω bis 10 ¹¹ Ω
Geräuschpegel	< 55 dB
Zulassungen	TUV, CE
Max. relative Luftfeuchtigkeit	80 % bei Temperaturen bis zu 31 °C mit linearer Reduzierung der relativen Luftfeuchtigkeit bis zu 50 % bei 40 °C
Systemmodi	HCT - Heißluftsystem, MRS - Reworksystem
Betriebsarten	Setup, Betrieb, Manuell, Aktives Setup
Speicherplätze	50
Betriebsartanzeige	LCD, 20 x 4 Anzeigesegmente

System beinhaltet	Beschreibung
HCT-PS1000	Netzteil HCT-1000
HCT-HV1	Lötgriffel mit eingebautem Vakuumrohr, Kabel und Stecker
HCTA-TH1	Halter für Lötgriffel
HNA-1	Adapter für Düsen
HCTA-NW1	Montageschlüssel für Düsen
HCTA-VC-KIT	Saugnapfkit, 4 x – Ø 5 / 6,4 / 8 / 11 mm
AC-TCK-36-36	Thermofühler (AWG 36)
HCTA-CC	Anschlusskabel PCT-/HCT-1000, 1,2 mtr.
HN-J0005	Heißluftdüse Ø 5 mm
Zubehör	
HCTA-VC24	Saugnapf, Ø2,38 mm
HCTA-VC50	Saugnapf, Ø 5,00 mm
HCTA-VC64	Saugnapf, Ø 6,4 mm
HCTA-VC80	Saugnapf, Ø 8 mm
HCTA-VC11	Saugnapf, Ø 11 mm
AC-TCK-40-36	Thermofühler (AWG 40)
HCT-HTRASSY	Heizelement für Lötgriffel
HCT-FS2	Dual-Fußschalter für HCT-1000
HCT-NC	Ablageständer für HCT-1000 Düsen

3. Beschreibung der Symbole
 Abb. 1: Netzteil HCT-PS1000

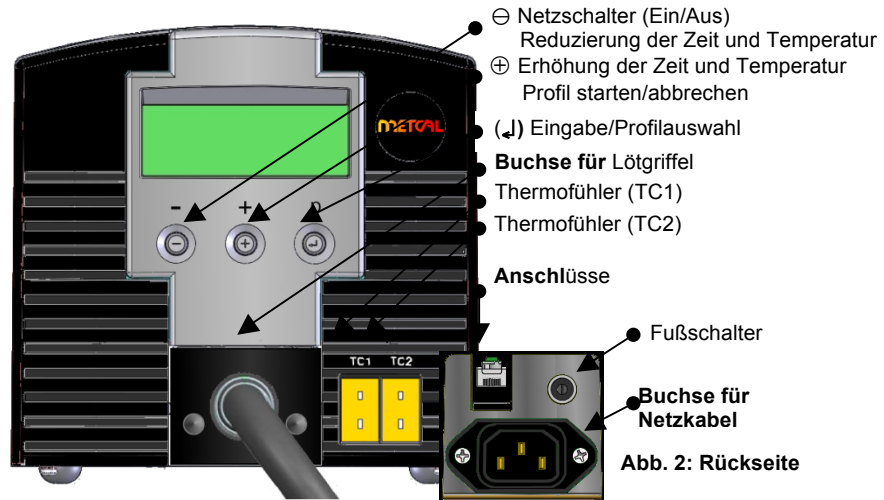


Abbildung 3: Betriebsmodus, vor Profilstart

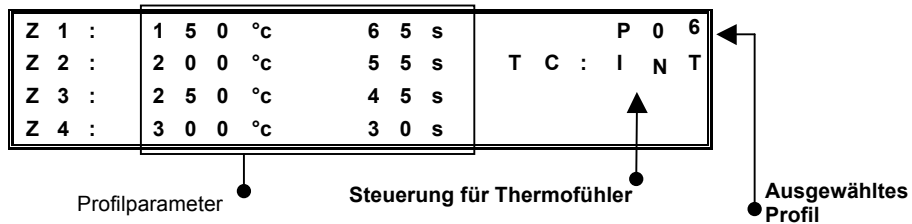
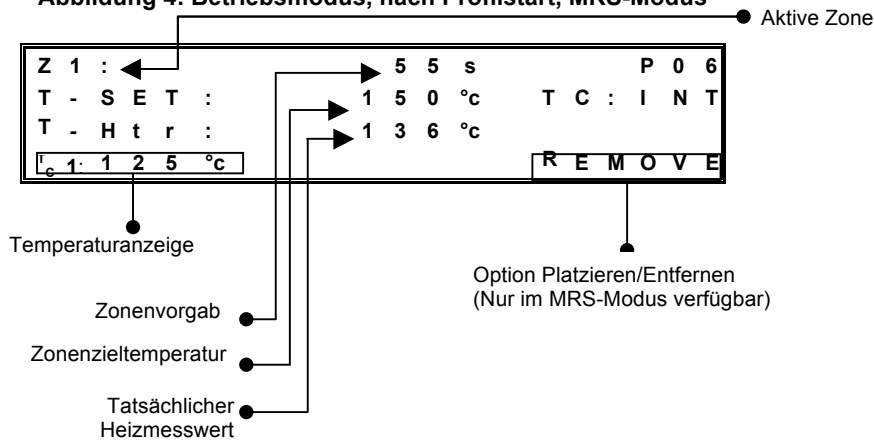


Abbildung 4: Betriebsmodus, nach Profilstart, MRS-Modus



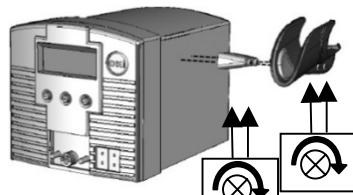
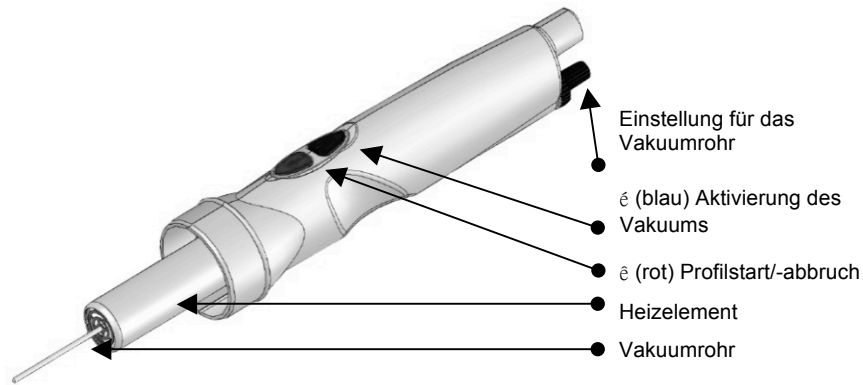


Abb. 5: Lotgriffel HCT-HV1



4. Setup und Inbetriebnahme

1. Grundlegende Geräteeinrichtung

- 1 Schließen Sie den Lotgriffel HCT-HV1 an das Netzteil an.
- 2 Stecken Sie das Netzkabel in die Buchse (Abb. 2). Stecken Sie das Netzkabel in eine Schuko Steckdose mit der in der Spezifikation angegebenen Netzspannung.
- 3 **Abb. 7**
Schalten Sie das HCT-1000-Gerät durch kurzes Drücken des Netzschalters \ominus ein.
- 4 Zum Abbrechen eines laufenden Profils (sofortiger Wechsel in die Abkühlphase*) drücken Sie die rote Taste (ϵ) am Fußschalter oder (ϵ) am Lotgriffel.
- 5 Nach Ablauf der Abkühlphase kann das System abgeschaltet werden. Dazu drücken Sie kurz auf den Netzschalter \ominus . **Hinweis:** Zum Abschalten darf sich das System nicht im Setup-Modus befinden, d. h. auf der Anzeige dürfen keine blinkenden Zahlen vorhanden sein.

2. Auswahl des Systemmodus

Das HCT-1000 verfügt über zwei Systembetriebsmodi.

- Der erste Betriebsmodus ist „**HCT**“. In diesem Modus wird das HCT-1000 als unabhängiges handbetriebenes Konvektions-Reworksystem eingesetzt.
- Der zweite Betriebsmodus ist „**MRS**“. In diesem Modus wird das HCT-1000 als Teil eines modularen Reworksystems (**Modular Rework System, MRS**) eingesetzt. Das System wird über ein Anschlusskabel mit der PCT-1000 verbunden und kann mit dem verstellbaren Ablagegeständer für den Lotgriffel ATH-1100A verwendet werden. In diesem Modus steuert das HCT-1000

beide Systeme. In Verbindung mit dem Ablageständer ATH-1100A erlaubt dies wiederholbare Vorgänge zum Platzieren und Entfernen.

- Stecken Sie das Übertragungskabel in die dafür vorgesehene Buchse (Abb. 2) am HCT-1000 und der PCT-1000. Ist der MRS-Modus eingestellt, wird auf der Zeitanzeige bei der PCT-1000 „-“ angezeigt.
- Die Auswahl des Systemmodus (HCT/MRS) erfolgt im Setupmodus (siehe Abschnitt 3.1). Weitere Betriebsoptionen sind verfügbar (siehe Abschnitt 3.5).

3. Auswahl des Systemmodus

Das HCT-1000 verfügt über vier Betriebsmodi. Die Betriebsmodi lauten Setup, Betrieb, Manuell und Aktives Setup. Der Modus „Setup“ ermöglicht das Modifizieren von System- oder Profilparametern. Der Modus „Betrieb“ ermöglicht den Betrieb des Geräts mit einem Profil, das vier Heizzonen verwendet. Der manuelle Modus ermöglicht den Betrieb des Geräts mit einer einzelnen Heizzone ohne Zeitlimit. Der Modus „Aktives Setup“ ermöglicht das Modifizieren von Parametern bei einem laufenden Profil.

1. Modus „Setup“

1. Drücken Sie einmal die Eingabetaste (↵), worauf „P:“ im Display zu blinken beginnt.
2. Verwenden Sie die Tasten ⊕ / ⊖, um durch die Profile zu blättern.
3. Drücken Sie (↵), um das gewünschte Profil auszuwählen.
4. Halten Sie die Eingabetaste (↵) 3 Sekunden lang gedrückt, um den Programmmodus zu aktivieren (die erste Temperaturanzeige in Zone 1 beginnt zu blinken).
5. **Einrichten des Modus „Betrieb“, weiter mit Schritt 3.1.6.1; Einrichten des Modus „Manuell“, weiter mit Schritt 3.1.7.1.**
6. **Einrichten des Modus „Betrieb“**
 1. Verwenden Sie die Tasten ⊕ / ⊖, um den gewünschten Temperaturwert einzustellen. **Hinweis:** Werden die Tasten ⊕ oder ⊖ 5 Sekunde lange gedrückt, wird eine beschleunigte Erhöhung bzw. Reduzierung des angezeigten Wertes bewirkt.
 2. Nachdem der Wert eingestellt wurde, drücken Sie (↵), um zum nächsten Parameter zu gelangen.
 3. Wiederholen Sie die Schritte 3.1.6.1 und 3.1.6.2, bis das Profil programmiert ist. **Hinweis:** In der Abkühlzone kann nur der Zeitparameter geändert werden.
 4. Weiter mit Schritt 3.1.8.
7. **Einrichten des Modus „Manuell“**
 1. Verwenden Sie die Tasten ⊕ / ⊖, um den benötigten Wert für die Temperatur einzustellen. (**Hinweis:** Durch 5 Sekunden langes Gedrückthalten der Taste ⊕ oder ⊖ wird eine beschleunigte Erhöhung bzw. Reduzierung des angezeigten Wertes bewirkt.)
 2. Stellen Sie die Zeit für Zone 1 auf einen Wert von mehr als 300 Sekunden ein. Auf der Anzeige wird nun das Wort MANUAL eingeblendet, und Z2, Z3, Z4 sind nicht mehr zu sehen. **Hinweis:** Profile im manuellen Modus haben kein Zeitlimit und laufen nach der Aktivierung so lange, bis sie gestoppt werden. In der Abkühlzone kann das Profil zu jeder Zeit wieder neu gestartet werden. Drücken Sie dazu die Taste ⊕ (oder die rote Taste am Lötgriffel oder Fußschalter).
8. Drücken Sie (↵), um zum nächsten Parameter zu gelangen. Dies ist die **HCT-** oder **MRS-**Option. Drücken Sie ⊕ oder ⊖, um zwischen **HCT** und **MRS** zu wechseln, oder drücken Sie (↵), um diesen Parameter zu überspringen.
9. Drücken Sie (↵), um zum nächsten Parameter zu gelangen. Hier wird die interne oder externe **TC-**Option eingestellt. Drücken Sie ⊕ oder ⊖, um

zwischen **Int** und **TC1** zu wechseln, oder drücken Sie (↓), um diesen Parameter zu überspringen.

Hinweis: Wenn **TC1** ausgewählt ist, wird **TC1** zum Hauptthermofühler und bietet Rückkopplung an die Netzversorgung.

10. Drücken Sie (↓), um zum nächsten Parameter zu gelangen. Hier wird der Luftstrom (**AF**) eingestellt. Verwenden Sie ⊕, um den Luftstrom zu erhöhen, und ⊖, um den Luftstrom zu reduzieren. Der Bereich kann von 1 bis 10 eingestellt werden. Hinweis: Die Luftpumpe wird beim Einstellen des Luftstroms aktiviert. Zum Überspringen dieses Parameters drücken Sie (↓).
11. Drücken Sie (↓), um zum nächsten Parameter zu gelangen. Dies ist die Sicherungssperrfunktion. HCT-100 Systeme verfügen über eine Sperrfunktion, um z. B. Veränderungen an Profilen durch Betreiber zu verhindern. Zur Aktivierung dieser Funktion muss eine vierstellige Zahl bei einer Programmeinrichtung wie nachfolgend beschrieben eingegeben werden. Wenn der Code auf 0000 eingestellt ist, sind die Programme nicht geschützt.
 1. Wenn C: 0000 auf der Anzeige dargestellt wird, können Sie einen vierstelligen Zahlencode auswählen.
 2. Wenn die erste Ziffer blinkt, kann durch Drücken von ⊖ oder ⊕ die gewünschte Zahl ausgewählt werden.
 3. Drücken Sie (↓) und wiederholen Sie Schritt 2 für alle Ziffern.
 4. Halten Sie (↓) gedrückt, um den Code zu verlassen.
 5. Ab jetzt können Profile nur dann geändert werden, wenn der richtige Code eingegeben wird.

Hinweise zur Sicherungssperrung:

- Sie können die Sicherung ausschalten, indem Sie zuerst in den Programmmodus (↓) gehen, den korrekten Code und danach als neuen Code „0000“ eingeben.
 - Alle Anwender hat jetzt vollständigen Zugriff auf alle Programmfunktionen.
- Ein Code schützt alle Profile, keine individuellen Profile.
- Wenn Sie den Code vergessen oder verloren haben, kann mit der Funktion „Master Reset“ (Gesamtrückstellung) wieder der Ursprungszustand hergestellt werden. **Der Code wird dadurch überschrieben.**

Master Reset

Um das System auf den Ursprungszustand zurückzusetzen, gehen Sie wie folgt vor:

- Halten Sie ⊕ und (↓) gleichzeitig gedrückt
- Während Sie ⊕ und (↓) gedrückt halten, schalten Sie das System durch Drücken von ⊖ ein

ACHTUNG: Das Ausführen des „Master Reset“ löscht alle gespeicherten Programme.

12. Nachdem alle erforderlichen Änderungen vorgenommen wurden, halten Sie (↓) 3 Sekunden lang gedrückt, bis die LCD-Anzeige aufhört zu blinken. Dadurch wird das Profil gespeichert und der Setup-Modus beendet. Dieser Schritt kann an jeder Stelle im Modus „Setup“ ausgeführt werden.

2. Modi „Betrieb“ und „Manuell“

1. Schalten Sie das Gerät durch Drücken des Netzschalters \ominus ein.
2. Die HCT-Startmeldung und die Softwareversion werden kurz angezeigt, bevor die zuletzt verwendeten Profileinstellungen angezeigt werden.
Hinweis: Das Gerät zeigt möglicherweise MRS an, wenn dies der letzte Betriebsstatus war.
3. **WICHTIG:** Wenn „TC: TC1“ angezeigt wird (siehe Abb. 4), muss sichergestellt werden, dass der externe Thermofühler entsprechend im Heizweg positioniert ist. Es kann sonst zu vorzeitigem Heizungsversagen kommen und zu Hitzeschäden an Teilen im Heizweg führen.
4. Wählen Sie das gewünschte Profil aus.
5. Wenn das gewünschte Profil angezeigt wird, drücken Sie (\downarrow), um das gewünschte Profil auszuwählen.
6. Zum Starten des Profils drücken Sie einmal auf \hat{e} (rot) auf dem Fußschalter oder auf \hat{e} (rot) auf dem Lötgriffel.
7. Während das Profil läuft, sehen Sie die aktuelle Zone, die verbleibende Zeit, den Heizwert und die Temperaturvorgabe. Profile im manuellen Modus zeigen „Manuell“ an, nicht die verbleibende Zeit.
8. Zum Beenden des Profils drücken Sie einfach auf \hat{e} (rot) auf dem Fußschalter oder auf \hat{e} (rot) auf dem Lötgriffel. Das Profil springt dann in die Abkühlzone. Während der Abkühlzone kann das Profil zu jeder Zeit wieder neu gestartet werden, indem Sie die rote Taste auf dem Fußschalter oder dem Lötgriffel drücken.

3. Modus „Aktives Setup“

1. Wählen Sie das zu ändernde Profil wie in den obigen Schritten 1 → 3 beschrieben.
2. Zum Aktivieren des aktiven Setup-Modus halten Sie (\downarrow) 3 Sekunden lang gedrückt. Sobald der Temperaturwert in Z1 zu blinken beginnt, drücken Sie auf \hat{e} (rot) auf dem Fußschalter oder auf \hat{e} (rot) auf dem Lötgriffel.
3. Das Profil wird dadurch gestartet und auf der LCD-Anzeige wird das Wort „SETUP“ gezeigt.
4. Zum Ändern der aktuellen Zonensolltemperatur drücken Sie \oplus oder \ominus .
5. Zum *Verlängern* der Zeit in der aktuellen Zone halten Sie (\downarrow) gedrückt, während die Zone beendet wird. Anstatt in die nächste Zone überzugehen, wird die ursprüngliche Einstellung der Zeiteinstellung in der aktuellen Zone solange erhöht, wie Sie (\downarrow) gedrückt halten. Nach Loslassen der Taste kann das Profil in die nächste Zone übergehen.*
6. Zum *Reduzieren* der Zonezeit drücken Sie zur gewünschten Zeit auf \hat{e} (rot) auf dem Fußschalter oder auf \hat{e} (rot) auf dem Lötgriffel. Dadurch wird die Zeit gespeichert, und das Profil wechselt in die nächste Zone.**
Hinweis: Die Schritte 3.4.5 und 3.4.6 können gleichzeitig ausgeführt werden.
7. Nachdem alle erforderlichen Änderungen vorgenommen wurden, lassen Sie das Profil bis zum Ende laufen. Halten Sie dann (\downarrow) gedrückt, bis die LCD-Anzeige aufhört zu blinken. Dadurch wird das Profil gespeichert und der Setup-Modus beendet.
8. ***Hinweis:** Diese Funktion ist in der Abkühlzone nicht verfügbar.
9. ****Hinweis:** Diese Funktion ist in der Abkühlzone NICHT verfügbar. Wird die rote Taste auf dem Lötgriffel oder Fußschalter gedrückt, erfolgt die Rückkehr in Zone 1. Wenn die Zeit in der Abkühlzone geändert werden soll, muss dies beim Einrichten des Modus „Betrieb“ (3.1.5) durchgeführt werden.

5. Weitere Leistungsmerkmale

1. Integriertes Vakuumrohr

Das Vakuumrohr hat einen Hub von 25,4 mm und ist mit einer Sprungfeder versehen, um beim Anbringen Schäden am Teil zu vermeiden. Nutzen Sie einen entsprechend großen Saugnapf, um das Teil zu versiegeln.

2. HCT-Systemmodus

1. Drücken Sie einmal auf ε (blau) auf dem Fußschalter oder dem Lötgriffel, um die Vakuumpumpe zu aktivieren, und drücken Sie erneut drauf, um sie zu deaktivieren.

3. MRS-Systemmodus – Auswahl Platzieren/Entfernen

1. Zum Umschalten zwischen Platzieren und Entfernen halten Sie 3 Sekunden lang ε (blau) auf dem Fußschalter oder dem Lötgriffel gedrückt.

4. MRS-Systemmodus – Platzieren (PLACE)

1. Drücken Sie einmal auf ε (blau) auf dem Fußschalter oder dem Lötgriffel, um die Vakuumpumpe zu aktivieren, und drücken Sie erneut drauf, um sie zu deaktivieren.

5. MRS-Systemmodus – Entfernen (REMOVE)

1. Die integrierte Vakuumpumpe aktiviert automatisch das Vakuum und zieht das Vakuumrohr am Ende der Zone 4 (Z4) im Betriebsmodus ein. Das Vakuum ist während der gesamten Abkühlzone (ZC) aktiv.

6. MRS-Systemmodus - Positiver Vakuumindikator

1. VAC wird angezeigt, wenn das Vakuum im Setup- oder Betriebsmodus aktiviert wurde (Abbildung 4). Wenn ein positiver Siegel am Teil erreicht wurde, blinkt die VAC-Anzeige.

7. Externe Thermofühlersteuerung

1. Bei Einsatz des HCT-1000 mit dem externen Thermofühler (TC1, siehe Abb: 4) wird TC1 verwendet, um externe Rückkopplungssteuerung zu bieten. Vergewissern Sie sich, dass der Thermofühler im Heizweg positioniert ist. Es kann sonst zu Fehlern oder Schäden am Teil kommen. TC2 kann zur Temperaturüberwachung eingesetzt werden (siehe 1.5.7).
2. Bei Einsatz des HCT-1000 mit externen Thermofühler im MRS-Modus wird TC1 zum Hauptthermofühler und wird zur Rückkopplungssteuerung des gesamten Systems verwendet. TC2 am HCT-1000 sowie TC1 und TC2 an der PCT-1000 können nur zur Temperaturüberwachung eingesetzt werden (siehe 1.9).

8. Temperaturüberwachung

1. Bei Einsatz des HCT-1000 mit dem internen Thermofühler (INT, siehe Abb: 3) können TC1 und TC2 für die Temperaturüberwachung eingesetzt werden.
2. Schließen Sie einen Thermofühler an TC1 und/oder TC2 an und befestigen Sie ihn an dem zu überwachenden Bereich. Der jeweils angeschlossene Thermofühler wird angezeigt (siehe Abb: 4).

9. Kalibrieren der TC1-Eingabe

1. Zur Kalibrierung der TC1-Eingabe führen Sie bitte folgende Schritte durch.
 - Schließen Sie ein kalibriertes Temperaturmessgerät an TC1 an.
 - Lassen Sie ein komplettes Profil laufen, um sicherzugehen, dass die internen Temperaturen des Systems stabil sind.

- Um in den Kalibriermodus zu gelangen, halten Sie \ominus und \downarrow fünf Sekunden lang gleichzeitig gedrückt.
- Sie befinden sich jetzt im Kalibriermodus.
- Stellen Sie die Temperatur mit den + und – Tasten entsprechend des Temperaturmessgeräts ein.
- Drücken Sie \downarrow , um in den normalen Betriebsmodus zurückzukehren.

6. Montage der Düse

1. Befestigen des Düsenadapters (HNA-1) am Heizelement.

1. Lösen Sie die Schraube entgegen dem Uhrzeigersinn (Abb. 6.1).

2. Schließen Sie den Bügel (Abb. 6.2).

3. Schieben Sie den Düsenadapter bis zum Anschlag über das Heizelement (Abb. 5)

4. Drehen Sie die Schraube (Abb. 6.1) im Uhrzeigersinn, damit der Adapter fest am Heizelement sitzt.

Um den Düsenadapter zu entfernen, öffnen Sie den Adapter wieder vom Heizelement ab.

2. Montage der Düse am Düsenadapter

1. Wählen Sie die für die Anwendung geeignete

2. Schrauben Sie die Düse auf den Düsenadapter Sie sie mit einem Düsenschraubenschlüssel in

3. Zum Entfernen der Düse schrauben Düsenschraubenschlüssel entgegen dem U (Abb. 6.3) ab.

3. Düsenauswahl

1. Wählen Sie die für die Anwendung geeignete Düse aus. Hierbei handelt es sich lediglich um Beispiele der verfügbaren Düsen. Eine vollständige Liste entnehmen Sie bitte der HCT-1000-Düsenauswahlanleitung, oder besuchen Sie unsere Website www.metcal.com, um sich die komplette Kollektion anzuschauen.

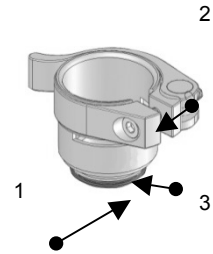


Abb. 8: Düsenadapter (HNA-1)



HN-J0005,
5.0MM

HN-B1010
10MM x 10MM

HN-B1818
18MM x 18MM

HN-B4040
40MM x 40MM

7. Betrieb

1. Entlöten von Bauteilen mit Konvektionswärme

1. Wählen Sie die geeignete Düse aus, und befestigen Sie diese am Adapter.
2. Wählen Sie das gewünschte Profil aus.
3. Halten Sie die Düse konstant in einem Abstand von ca. 3 – 5 mm an die Anschlüsse des Bauteils, bis die heiße Luft das Lot schmilzt.
4. Wenn das Lot geschmolzen ist, entfernen Sie das Bauteil entweder mit dem integriertem Vakuum, einer Pinzette oder einem anderen geeigneten Werkzeugs von der Platine.

2. Löten von Bauteilen mit Konvektionswärme

1. Wählen Sie die geeignete Düse aus, und befestigen Sie sie am Adapter.
2. Tragen Sie die geeignete Menge an Lötmedium auf der Platine auf. Positionieren Sie das Bauteil auf der Platine.
3. Wählen Sie das gewünschte Profil aus.
4. Halten Sie die Düse nah an die Anschlüsse des Bauteils, bis die heiße Luft das Lot an den Anschlüssen schmilzt.

8. Problembehebung

1. Das System schaltet sich nicht EIN.
 - Prüfen Sie das Netzkabel.
 - Prüfen Sie, ob Netzspannung vorhanden ist.
2. Auf der LED-Anzeige wird **OH** angezeigt.
 - Das Gerät hat die interne Sicherheitsabschaltung überschritten.
 - Lassen Sie das Gerät abkühlen.
 - Überprüfen Sie die Platzierung des Thermofühlers (falls verwendet).
 - Setzen Sie das Gerät zurück, indem Sie es aus- und wieder einschalten.
3. Auf der LED-Anzeige wird **TCFAULT** angezeigt
 - Überprüfen Sie die Lage des Thermofühlers.
 - Vergewissern Sie sich, dass der Thermofühler fest in der richtigen TC-Buchse eingesteckt ist.
 - Ersetzen Sie den Thermofühler, falls das Problem weiterhin besteht.
4. Blinkende Zonen- und Temperaturparameter im Modus „Betrieb“.
 - Das bedeutet, dass das Gerät die programmierten Zeit- und Temperatureinstellungen nicht erreichen kann.

9. Instandhaltung

Der Lötgriffel (HCT-HV1) ist Teil des Service-Austauschprogramms von OK International. Das Heizelement (HCT-HTRASSY) kann separat als Ersatzteil gekauft werden.

Besuchen Sie bitte die Website von OK International (www.metcal.com). Dort finden Sie weitere Informationen über Systeme, Zubehör, technische Hinweise und vieles mehr.

INTRODUCTION

Le HCT-1000 est un outil manuel conçu pour les remaniements par convection. Il est équipé de commandes numériques, de plusieurs modes de fonctionnement, d'une régulation interne ou externe et d'une pipette d'aspiration intégrée pour la pose et le retrait des composants. Cette unité peut, par ailleurs, être raccordée au PCT-1000 dans le système de remaniement modulaire (Modular Rework System).

SOMMAIRE

1. Consignes de sécurité et garantie	20
2. Spécifications	21
3. Identification de l'unité	22
4. Installation et utilisation de l'unité	23
5. Fonctions supplémentaires	26
6. Informations sur les buses	27
7. Fonctionnement	28
8. Dépannage	28
9. Maintenance	29

CONSIGNES DE SÉCURITÉ

Utilisation prévue :

AVERTISSEMENT : le non respect des consignes d'utilisation de cet équipement, telles qu'énoncées dans ce manuel d'utilisation, peut être à l'origine de blessures ou de dommages. Utilisez par conséquent cet équipement conformément aux indications fournies dans le présent manuel.

OK International ne saurait être responsable des blessures ou dommages résultant d'une utilisation inappropriée de cet équipement. Par utilisation inappropriée, on entend :

- toute modification apportée à l'équipement qui ne serait pas recommandée par ce manuel d'utilisation ;
- l'utilisation de pièces de rechange incompatibles ou endommagées ;
- l'utilisation d'accessoires ou d'un équipement auxiliaire non agréés.

Précautions de sécurité :

- Ne dépassez pas les capacités/réglages maximums de cette unité.
- Portez toujours une tenue de protection adaptée.
- Cet équipement est réservé à un usage en intérieur.

Garantie

OK International garantit l'outil manuel de remaniement par convection HCT-1000 contre tout défaut de pièce ou de main d'œuvre pendant un (1) an à partir de la date d'acquisition par le premier propriétaire.

OK International garantit la pièce à main de l'outil manuel de remaniement par convection du HCT-1000 (HCT-HV1) contre tout défaut de pièce ou de main d'œuvre pendant un (1) an à partir de la date d'acquisition par le premier propriétaire.

OK International garantit le bloc de chauffe du HCT-1000 (HCT-HTRASSY) contre tout défaut de pièce ou de main d'œuvre pendant quatre-vingt-dix (90) jours à partir de la date d'acquisition par le premier propriétaire.

Cette garantie exclut l'entretien normal et ne s'applique pas dans les cas d'utilisation anormale ou abusive, de détérioration, de modification et d'ouverture des produits. En cas de défectuosité du produit au cours de la période de garantie, OK International s'engage à le réparer ou à le remplacer gratuitement, à sa discrétion. Le ou les produits de remplacement seront expédiés, port payé, au premier acquéreur. La période de garantie commence à la date d'acquisition. Si la date d'acquisition ne peut être justifiée, la période de garantie commence à la date de fabrication.

2. SPÉCIFICATIONS DU HCT-1000

Taille	229 mm x 178 mm x 152 mm
Poids	5,44 kg
Tension d'entrée	100-240 V c.a., 50/60 Hz
Puissance nominale	600 W
Classe de niveau de pollution	II
Température de stockage	-10°C à 60°C
Température de fonctionnement	0°C à 50°C
Type de pompe à air	À diaphragme
Débit d'air	5 à 25 l/min
Pompe à vide	381 mm Hg
Température de contrôle	450°C
Résistivité en surface	$10^7 \Omega$ à $10^{11} \Omega$
Niveau de bruit	< 55 dB
Certifications	TUV, CE
Humidité relative maximale	80 % pour une température jusqu'à 31°C, puis diminution linéaire jusqu'à 50 % d'humidité relative à 40°C
Modes du système	HCT, MRS
Modes de fonctionnement	Configuration, Fonctionnement, Manuel, Configuration active
Emplacements mémoire	50
Écran	LCD 20 X 4 Segments d'affichage

Le Système comprend :	Description
HCT-PS1000	Bloc d'alimentation HCT-1000
HCT-HV1	Outil à main avec ligne d'aspiration, cordon et connecteur
HCTA-TH1	Porte-outil pour Outil à main
HNA-1	Adaptateur de buses
HCTA-NW1	Clé à buse
HCTA-VC-KIT	Assortiment de ventouses : 5; 6,4; 8 et 11 mm
AC-TCK-36-36	Thermocouple type K calibre 36
HCTA-CC	Câble de communication
HN-J0005	Buse ronde diamètre 5mm
Accessoires	
HCTA-VC24	Ventouse, 2,38 mm
HCTA-VC50	Ventouse, 5,00 mm
HCTA-VC64	Ventouse, 6,4 mm
HCTA-VC80	Ventouse, 8 mm
HCTA-VC11	Ventouse, 11 mm
AC-TCK-40-36	Thermocouple type K calibre 40
HCT-HTRASSY	Élément chauffant
HCT-FS2	Pédale double pour HCT-1000
HCT-NC	Porte-buse pour HCT-1000

3. Identification de l'unité
 Figure 1 Bloc d'alimentation HCT-PS1000

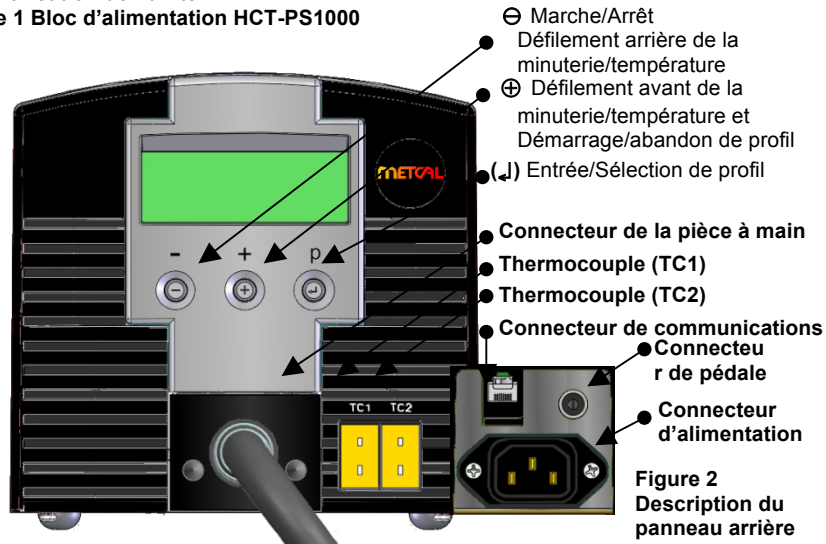


Figure 3 : mode Fonctionnement, avant démarrage du profil

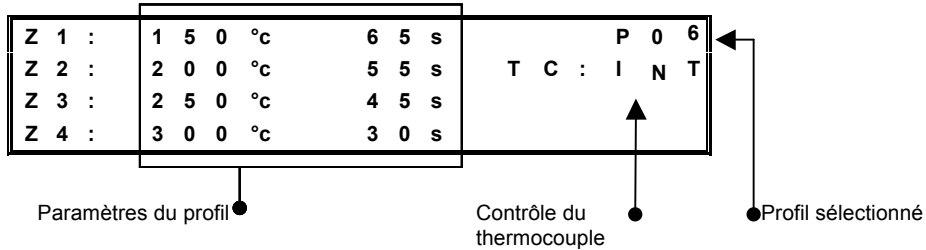
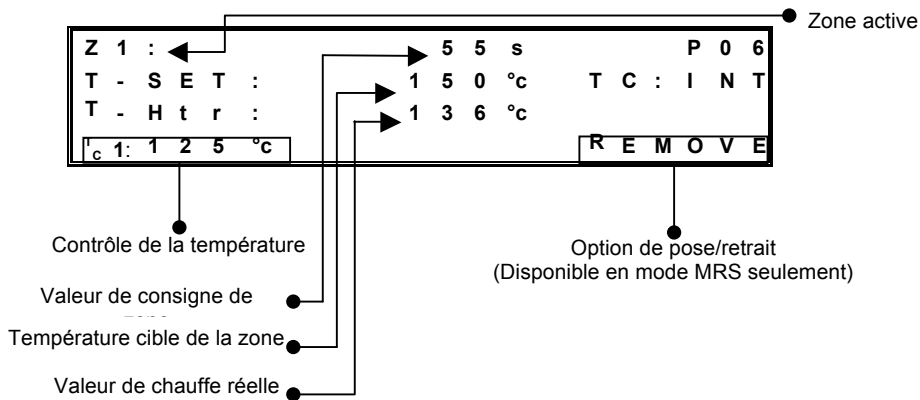


Figure 4 : mode Fonctionnement, après démarrage du profil, mode MRS



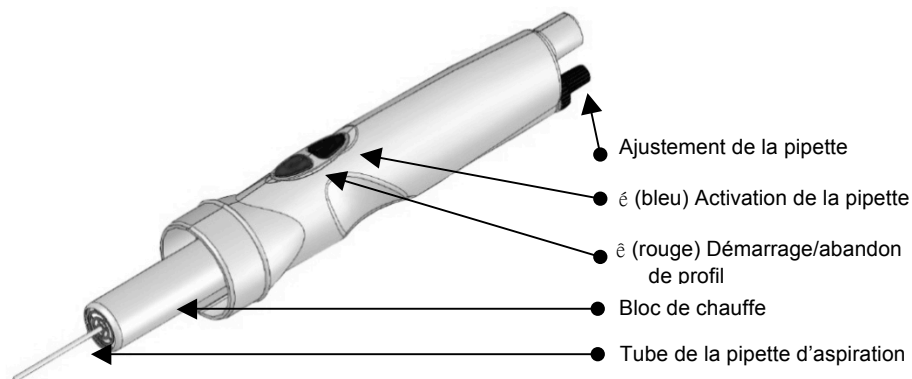


Figure 5 Pièce à main HCT-HV1

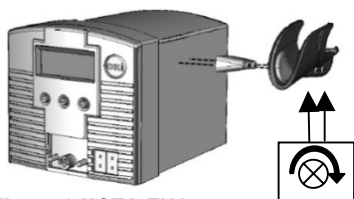


Figure 6 HCTA-TH1



Figure 7

4. Installation et utilisation de l'unité

1. Installation de base de l'unité

1. Connectez la pièce à main HCT-HV1 au bloc d'alimentation.
2. Branchez une extrémité du cordon au connecteur d'alimentation (Figure 2) et l'autre à une prise murale reliée à la terre, de tension nominale appropriée.
3. Mettez l'unité sous tension en appuyant brièvement sur le bouton d'alimentation \ominus .
4. Pour abandonner un profil (pour la zone de refroidissement*), en mode Fonctionnement, maintenez enfoncée la touche \blacktriangledown (rouge) de la pédale ou de la pièce à main.
5. À la fin de la zone de refroidissement, mettez l'unité hors tension en appuyant brièvement sur le bouton d'alimentation \ominus . **Remarque** : vous devez au préalable quitter le mode de configuration ; aucun nombre ne doit plus clignoter sur l'écran.

2. Sélection du mode système

Le HCT-1000 bénéficie de deux modes de fonctionnement système.

- Le premier mode, **HCT**, permet d'utiliser l'outil manuel de remaniement par convection HCT-1000 de façon autonome.
- Dans le deuxième mode, **MRS**, le HCT-1000 est utilisé dans un système de remaniement modulaire (**Modular Rework System**). L'unité est connectée par câble à un PCT-1000 et peut être utilisée avec le support d'outil réglable ATH-1100A. Dans ce mode, le HCT-1000 fournit un temporisateur pour les deux unités et l'ATH-1100A permet d'effectuer des opérations de pose et de retrait répétitives.
- Branchez le câble de communication dans les connecteurs de communication (Figure 2 ci-dessus) du HCT-1000 et du PCT-1000. En mode MRS, le réglage de temps qui s'affiche alors sur le PCT-1000 est « -- ».

- La sélection du mode système se fait dans le mode Configuration. Voir la section 3.1. Des options de fonctionnement supplémentaires sont disponibles. Voir la section 3.5.

3. Sélection du mode de fonctionnement

Le HCT-1000 bénéficie de quatre modes de fonctionnement : Configuration, Fonctionnement, Manuel et Configuration active. Le mode Configuration permet de modifier les paramètres du système ou du profil. Le mode Fonctionnement permet à l'unité de fonctionner avec un profil utilisant quatre zones de chauffe. Le mode Manuel propose une zone de chauffe unique et aucune limite de temps. Le mode Configuration active permet de modifier les paramètres alors qu'un profil est en cours de fonctionnement.

1. Mode Configuration

1. Appuyez une fois sur le bouton Mode (↵) pour que la lettre « P: » clignote.
2. Utilisez les boutons ⊕ / ⊖ pour faire défiler les profils.
3. Appuyez sur (↵) pour sélectionner le profil voulu.
4. Appuyez 3 secondes sur le bouton (↵) pour activer le mode de programmation (la première température de la zone 1 clignote).
5. **Configuration du mode Fonctionnement : suivez l'étape 3.1.6.1 ; Configuration du mode Manuel : suivez l'étape 3.1.7.1.**
6. **Configuration du mode Fonctionnement**
 1. Utilisez les boutons ⊕/⊖ pour paramétrer la température voulue. (**Remarque** : si vous appuyez sur les boutons ⊕ ou ⊖ pendant 5 secondes, le défilement des valeurs passe en mode accéléré).
 2. Une fois la valeur définie, appuyez sur (↵) pour passer au paramètre suivant.
 3. Répétez les étapes 3.1.6.1 et 3.1.6.2 jusqu'à ce que le profil soit programmé. **Remarque** : dans la zone de refroidissement, vous ne pouvez modifier que le paramètre de temps.
 4. Passez à l'étape 3.1.8.
7. **Configuration du mode Manuel**
 1. Utilisez les boutons ⊕ / ⊖ pour paramétrer la température voulue. (**Remarque** : si vous appuyez sur les boutons ⊕ ou ⊖ pendant 5 secondes, le défilement des valeurs passe en mode accéléré).
 2. Réglez le temps de la Zone 1 en choisissant une valeur supérieure à 300 secondes. Le mot MANUAL (MANUEL) s'affiche tandis que les indicateurs Z2, Z3, Z4 disparaissent.
Remarque : les profils du mode Manuel n'imposent pas de limite de temps et fonctionnent depuis leur activation jusqu'à leur arrêt. Cependant, durant la zone de refroidissement, le profil peut être redémarré à tout moment en appuyant sur ⊕ (ou le bouton rouge sur la pédale ou sur l'outil à main).
8. Appuyez sur (↵) pour passer au paramètre suivant. Il s'agit de l'option **HCT** ou **MRS**. Utilisez les boutons ⊕ ou ⊖ pour basculer entre les modes **HCT** et **MRS**, ou appuyez sur (↵) pour quitter ce paramètre.
9. Appuyez sur (↵) pour passer au paramètre suivant. Il s'agit de l'option TC Interne ou Externe. Utilisez les boutons ⊕ ou ⊖ pour basculer entre les modes **Int** et **TC1**, ou appuyez sur (↵) pour quitter ce mode.
Remarque : lorsque l'option TC1 est sélectionnée, TC1 devient le thermocouple maître et fournit un retour d'information au bloc d'alimentation.
10. Appuyez sur (↵) pour passer au paramètre suivant. Il s'agit de l'option Airflow (Débit d'air ou **AF**). Utilisez le bouton ⊕ pour augmenter le débit d'air ou ⊖ pour le diminuer. Le réglage peut se faire dans une

plage de 1 à 10. Notez que la pompe à air se met en marche lorsque vous ajustez le débit d'air. Appuyez sur (↓) pour poursuivre.

11. Appuyez sur (↓) pour passer au paramètre suivant. C'est la fonction de verrouillage de sécurité. Les systèmes HCT-1000 sont fournis avec un dispositif de verrouillage pour empêcher les opérateurs de modifier les profils, etc. Pour activer cette fonction, un nombre à 4 chiffres doit être entré dans un programme d'installation, comme expliqué ci-dessous. Si le code d'accès est configuré sur 0000, les programmes ne sont pas protégés.
 1. Quand C: 0000 apparaît à l'écran, vous pouvez sélectionner un code d'accès à 4 chiffres.
 2. Lorsque le premier chiffre clignote, utilisez les boutons ⊖ ou ⊕ pour sélectionner le numéro choisi.
 3. Appuyez sur (↓) et répétez l'étape 2 pour tous les chiffres.
 4. Appuyez et maintenez enfoncée la touche (↓) pour quitter la saisie du code.
 5. À partir de ce point, vous pouvez éditer les profils qu'après avoir entré le code correct.

Remarques sur le verrouillage de sécurité :

- Vous pouvez « désactiver » la protection du verrouillage de sécurité en retournant dans le mode Configuration, en entrant le code actuel, puis en configurant le nouveau code sur « 0000 » – Tous les utilisateurs ont désormais un accès complet à toutes les fonctions du programme.
- Un code protège tous les profils, et non les profils individuels.
- Si le code d'accès est perdu ou oublié, alors la fonction de réinitialisation générale restaure les paramètres d'usine, **tout en effaçant le code d'accès.**

Master Reset.

Pour réinitialiser les paramètres d'usine de l'unité, procédez comme suit.

- Appuyez et maintenez enfoncées ⊕ et (↓)
- Tout en appuyant sur ⊕ et (↓), allumez l'unité en appuyant sur ⊖

REMARQUE : l'utilisation de la réinitialisation générale effacera tous les programmes enregistrés.

12. Une fois les modifications nécessaires apportées, appuyez 3 secondes sur le bouton (↓) pour que l'écran cesse de clignoter. Le profil est alors mémorisé et vous quittez le mode de configuration. Vous pouvez effectuer cette action à tout moment pendant le mode Configuration.

2. Modes Fonctionnement et Manuel

1. Mettez l'unité sous tension en appuyant sur le bouton d'alimentation ⊖.
2. Le message de démarrage du HCT et son numéro de version s'affichent brièvement avant de laisser place aux paramètres du dernier profil utilisé.
Remarque : il se peut que l'unité affiche MRS s'il s'agit du dernier statut de fonctionnement.
3. **IMPORTANT :** si « TC : TC1 » s'affiche sur le panneau (voir Figure 4 ci-dessus), vérifiez que le thermocouple externe est convenablement positionné dans la ligne de chauffe. Sinon, vous risquez de provoquer une défaillance prématurée de l'unité de chauffe et créer des dommages sur des composants se trouvant dans la ligne de chauffage.
4. Sélectionnez le profil voulu.
5. Une fois ce profil affiché, appuyez sur (↓) pour le sélectionner.

6. Pour démarrer le profil, appuyez une fois sur la touche ↓ (rouge) de la pédale ou de la pièce à main.
7. Pendant l'exécution du profil, la zone actuelle, le temps restant, la valeur de chauffe et le point de consigne de la température s'affichent. Pour les profils du mode Manuel, le temps restant ne s'affiche pas et seul le mot Manuel (Manuel) apparaît.
8. Pour quitter le profil, appuyez simplement sur la touche ↓ (rouge) de la pédale ou de l'outil à main. Le profil passe alors à la zone de refroidissement (ZC). Durant la zone de refroidissement, le profil peut être redémarré à tout moment en appuyant sur le bouton rouge de la pédale ou de l'outil à main).

3. Mode Configuration active

1. Sélectionnez le profil à modifier en suivant les étapes 1 → 3 précédentes.
2. Pour activer le mode Configuration active, appuyez sur (↓) pendant 3 secondes, puis appuyez une fois sur la touche ↓ (rouge) de la pédale ou de la pièce à main dès que la température en Z1 commence à clignoter.
3. Le profil est alors exécuté et SETUP (CONFIGURATION) s'affiche à l'écran.
4. Pour modifier la température de la zone, utilisez les boutons ⊕ / ⊖.
5. Pour *augmenter* le temps de la zone sélectionnée, maintenez le bouton (↓) enfoncé lorsque la zone se termine. Au lieu de passer à la zone suivante, le réglage du temps augmente le paramètre initial de la zone active d'une durée équivalente à l'appui sur le bouton (↓). Relâchez le bouton pour permettre au profil de passer à la zone suivante*.
6. Pour *diminuer* le temps de la zone, maintenez enfoncée la touche ↓ (rouge) de la pédale ou de la pièce à main jusqu'à atteindre le temps voulu, qui est alors mémorisé. Le profil passe à la zone suivante*.
Remarque : les étapes 3.4.5 et 3.4.6 peuvent être effectuées simultanément.
7. Une fois les modifications nécessaires apportées, terminez le profil. Maintenez le bouton (↓) enfoncé jusqu'à ce que l'écran cesse de clignoter. Le profil est alors mémorisé et vous quittez le mode de configuration.
8. * **Remarque** : fonction non disponible dans la zone de refroidissement.
9. ** **Remarque** : fonction non disponible dans la zone de refroidissement. En appuyant sur le bouton rouge de la pédale ou de l'outil à main; vous revenez à la Zone 1 à nouveau. Si le temps de refroidissement doit être ajusté, il doit être modifié en Mode Configuration (étape 3.1.5).

5. Fonctions supplémentaires

1. **Pipette d'aspiration intégrée**
Le tube de la pipette d'aspiration court sur 25,4 mm et est monté sur ressort afin d'éviter d'endommager les composants pendant la fixation. Utilisez une ventouse de taille appropriée pour faire une soudure sur le composant.
2. **Mode système HCT**
 1. Appuyez une fois sur la touche ↑ (bleue) de la pédale ou de la pièce à main pour activer la pompe à vide. Faites de même pour la désactiver.
3. **Mode système MRS – Sélection de pose ou de retrait**
 1. Pour passer de la pose au retrait, maintenez une pression de 3 secondes sur la touche ↑ (bleue) de la pédale ou de la pièce à main.
4. **Mode système MRS - Pose**
 1. Appuyez une fois sur la touche ↑ (bleue) de la pédale ou de la pièce à main pour activer la pompe à vide. Faites de même pour la désactiver.
5. **Mode système MRS - Retrait**

1. La pipette d'aspiration intégrée active automatiquement la pompe à vide et rétracte le tube de la pipette une fois la Zone 4 (Z4) terminée en mode Fonctionnement. L'aspiration reste active pendant toute la durée de la zone de refroidissement (ZC).
- 6. Mode système MRS—Voyant d'aspiration**
1. VAC s'allume lorsque l'aspiration est actionnée en mode Configuration ou Fonctionnement (figure 4). VAC clignote lorsqu'un contact étanche a été établi avec le composant.
- 7. Contrôle du thermocouple externe**
1. Lorsque vous utilisez le HCT-1000 avec le thermocouple externe (TC1, voir la Figure 4 ci-dessus), le TC1 sert de régulation externe. Vérifiez que le thermocouple est placé sur la ligne de chauffe. Si ce n'est pas le cas, une erreur peut se produire ou le composant risque d'être endommagé. Le TC2 peut être utilisé pour le suivi des températures (voir 1.5.7).
 2. Lorsque vous utilisez le HCT-1000 avec des thermocouples externes en mode MRS, le TC1 du HCT-1000 devient le thermocouple maître et sert de régulation externe à tout le système. Le TC2 du HCT-1000 et les TC1 et TC2 du PCT-1000 sont réservés au suivi des températures (voir 1.9).
- 8. Suivi de la température**
1. Si vous utilisez le HCT-1000 avec le thermocouple interne (INT, voir la Figure 3 ci-dessus), les thermocouples externes TC1 et TC2 peuvent servir à contrôler la température.
 2. Fixez un thermocouple à TC1 et/ou TC2, et à la zone à surveiller. Le thermocouple approprié s'affiche alors (voir Figure 4 ci-dessus).
- 9. Calibrage de l'entrée TC1.**
1. **Le calibrage de l'entrée TC1 est possible grâce à la procédure ci-dessous.**
 - Branchez à l'entrée TC1 un boîtier de commande d'entrée de la température calibré.
 - Lancez un profil complet afin de vérifier que les températures internes des unités sont stables.
 - Pour entrer dans le mode de calibrage, maintenez enfoncés les boutons \ominus et (\blacktriangledown) durant 5 secondes.
 - Désormais, vous êtes en mode de calibrage.
 - Réglez la température en fonction du boîtier de calibrage externe à l'aide des boutons + et –.
 - Appuyez sur le bouton (\blacktriangledown) pour revenir au mode normal.

6. Fixation de la buse

1. Fixez l'adaptateur de buse (HNA-1) au corps de chauffe.
 1. Desserrez la vis du collier de serrage en tournant dans le sens antihoraire (Figure 6, 1).
 2. Fermez le collier de serrage (Figure 6, 2).
 3. Glissez l'adaptateur de buse le long du bloc de chauffe (Figure 5) jusqu'à la butée.
 4. Serrez la vis du collier de serrage en tournant dans le sens horaire (Figure 6, 1) pour fixer fermement l'adaptateur au bloc de chauffe. Le retrait de l'adaptateur

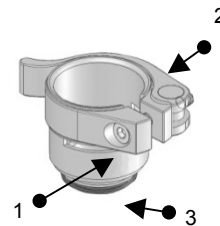


Figure 8: Adaptateur de buse (HNA-1)

se fait ensuite en ouvrant le collier de serrage et en glissant l'adaptateur hors du bloc de chauffe.

2. Fixation des buses sur l'adaptateur de buse

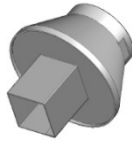
1. Sélectionnez la buse appropriée à l'application.
2. Pour la fixer, vissez la buse sur l'adaptateur de buse (Figure 6, 3) ; serrez dans le sens horaire à l'aide de la clé de buse.
3. Pour retirer la buse, dévissez-la de l'adaptateur (Figure 6, 3) ; desserrez dans le sens antihoraire à l'aide de la clé de buse.

3. Sélection des buses

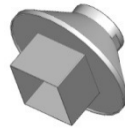
1. Sélectionnez la buse appropriée à l'application. Il s'agit ici uniquement d'un échantillon des buses disponibles. Reportez-vous au guide de sélection des buses du HCT-1000 ou visitez notre site Web www.metcal.com pour consulter l'éventail complet.



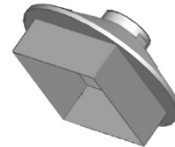
HN-J0005,
5.0MM



HN-B1010
10MM x 10MM



HN-B1818
18MM x 18MM



HN-B4040
40MM x 40MM

7. Fonctionnement

1. Désoudage de composants avec la chaleur par convection

1. Sélectionnez la buse appropriée et fixez-la à l'adaptateur.
2. Sélectionnez le profil voulu.
3. Approchez la buse des contacts du composant ; maintenez une distance de 3 à 5 mm. Utilisez de l'air chaud pour faire fondre la soudure.
4. Une fois fondue, utilisez l'aspiration intégrée, des petites pinces ou tout autre outil adapté pour retirer le composant du circuit imprimé.

2. Soudage de composants avec la chaleur par convection

1. Sélectionnez la buse appropriée et fixez-la à l'adaptateur.
2. Appliquez la bonne quantité de soudure sur le circuit imprimé ; positionnez le composant sur le circuit imprimé.
3. Sélectionnez le profil voulu.
4. Approchez la buse des contacts du composant, soufflez de l'air chaud sur les contacts pour faire fondre la soudure.

8. Dépannage

1. L'unité ne se met pas sous tension
 - Vérifiez le cordon d'alimentation.
 - Vérifiez l'alimentation du secteur.
2. OH s'affiche à l'écran
 - L'unité a dépassé le point de coupure interne.
 - Laissez refroidir l'unité.
 - Vérifiez la position du thermocouple (le cas échéant).
 - Réinitialisez l'unité au moyen de l'interrupteur.
3. TCFAULT s'affiche à l'écran
 - Vérifiez la position du thermocouple.
 - Vérifiez que le thermocouple est correctement inséré dans le connecteur TC approprié.
 - Remplacez le thermocouple si le problème persiste.

4. Les paramètres de température et de zone clignotent en mode Fonctionnement.
 - Le temps et la température programmés pour l'unité sont inappropriés.

9. Maintenance

La pièce à main (HCT-HV1) fait partie du programme d'échange de services d'OK International, ou le bloc de chauffe (HCT-HTRASSY) peut être acheté séparément en tant que pièce de rechange.

Visitez le site Web d'OK International (www.metcal.com) sur lequel vous trouverez, entre autres, des informations supplémentaires sur les systèmes, les accessoires et les notes techniques.

INTRODUZIONE

L'HCT-1000 è uno strumento portatile di ripristino per convezione. Presenta controlli digitali, molteplici modalità di funzionamento, controllo del feedback interno o esterno e raccogliatore a vuoto integrato per il posizionamento e lo stacco di componenti. L'unità può essere inoltre collegata al preriscaldatore PCT-1000 come parte del sistema modulare di ripristino.

SOMMARIO

1. Sicurezza e garanzia	30
2. Specifiche tecniche	31
3. Identificazione dell'unità	32
4. Impostazione e funzionamento dell'unità	33
5. Altre caratteristiche	36
6. Informazioni sull'ugello	38
7. Funzionamento	38
8. Risoluzione dei problemi più comuni	38
9. Manutenzione	39

SICUREZZA

Uso previsto

AVVERTENZA: un uso del presente apparecchio non conforme a quanto indicato nel presente manuale può comportare lesioni all'operatore nonché danni all'apparecchio stesso. L'apparecchio deve essere usato esclusivamente per le indicazioni riportate nel presente manuale.

OK International non sarà responsabile di lesioni o danni risultanti da usi dello strumento che non siano quelli esplicitamente previsti. Le seguenti operazioni possono comportare un uso non previsto dello strumento:

- Modifiche allo strumento che non siano raccomandate nel presente manuale
- Utilizzo di parti di ricambio incompatibili o danneggiate
- Utilizzo di accessori e apparecchi ausiliari non approvati

Precauzioni per la sicurezza

- Non azionare questa unità superando i limiti massimi e le impostazioni indicate.
- Indossare sempre indumenti o apparecchiature di protezione personale.
- Questo apparecchio deve essere utilizzato esclusivamente in ambienti interni.

Garanzia

OK International garantisce l'alimentatore dello strumento portatile di ripristino per convezione HCT-1000 contro ogni difetto di materiale e di lavorazione per un (1) anno dalla data di acquisto da parte del proprietario originale.

OK International garantisce l'impugnatura (HCT-HV1) dello strumento portatile di ripristino per convezione HCT-1000 contro ogni difetto di materiale e di lavorazione per un (1) anno dalla data di acquisto da parte del proprietario originale.

OK International garantisce il riscaldatore (HCT-HTRASSY) dello strumento HCT-1000 contro ogni difetto di materiale e di lavorazione per novanta (90) giorni dalla data di acquisto da parte del proprietario originale.

La presente garanzia esclude le normali operazioni di manutenzione e non sarà applicabile in caso di apertura, uso improprio, abuso, modifica o danneggiamento dei componenti. Qualora si riscontrino difetti nel prodotto durante il periodo di garanzia, OK International lo riparerà o sostituirà gratuitamente a sua discrezione. Gli elementi di ricambio saranno spediti, franco spese di trasporto, all'acquirente originale. Il periodo di garanzia decorre dalla data di acquisto. Qualora quest'ultima non fosse documentata, come inizio del periodo di garanzia verrà considerata la data di fabbricazione.

2. SPECIFICHE TECNICHE DELLO STRUMENTO HCT-1000

Dimensioni	229 mm x 178 mm x 152 mm
Peso	5,44 Kg
Tensione di ingresso	100-240 V CA, 50/60 Hz
Potenza nominale	600 W
Grado di inquinamento	Classe II
Temperatura di stoccaggio	Da -10 °C a 60 °C
Temperatura di funzionamento	Da 0 °C a 50 °C
Tipo di pompa per aria	A diaframma
Flusso d'aria	5-25 l/min
Pompa a vuoto	381 mm Hg
Controllo temperatura	450°C
Resistività superficiale	Da 10 ⁷ Ω a 10 ¹¹ Ω
Livello di rumore	< 55 dB
Omologazioni	TUV, CE
Umidità relativa massima	80% per la temperatura fino a 31 °C; diminuzione lineare per un'umidità relativa del 50% a 40 °C
Modalità di sistema	HCT, MRS
Modalità operative	Impostazione, Esecuzione, Manuale, Impostazione attiva
Posizioni di memoria	50
Display	LCD 20 x 4

Il sistema include	Descrizione
HCT-PS1000	Alimentatore HCT-1000
HCT-HV1	Impugnatura con connettore, cavo e vuoto integrato
HCTA-TH1	Portastrumento
HNA-1	Adattatore per ugello
HCTA-NW1	Chiave per ugello
HCTA-VC-KIT	Kit di ventose da 5, 6, 8 e 11 mm
AC-TCK-36-36	Termocoppia 36AWG
HCTA-CC	Cavo di comunicazione, 122 cm
HN-J0005	Ugello dal diametro di 5 mm
Accessori	
HCTA-VC24	Ventosa 2,38 mm
HCTA-VC50	Ventosa 5,0 mm
HCTA-VC64	Ventosa 6,4 mm
HCTA-VC80	Ventosa 8 mm
HCTA-VC11	Ventosa 11 mm
AC-TCK-40-36	Termocoppia 40AWG
HCT-HTRASSY	Complesso riscaldatore
HCT-FS2	Interruttore a pedale, doppio, HCT-1000
HCT-NC	Vassoio porta ugelli per HCT-1000

3. Identificazione dell'unità
 Figura 1: Alimentatore HCT-PS1000

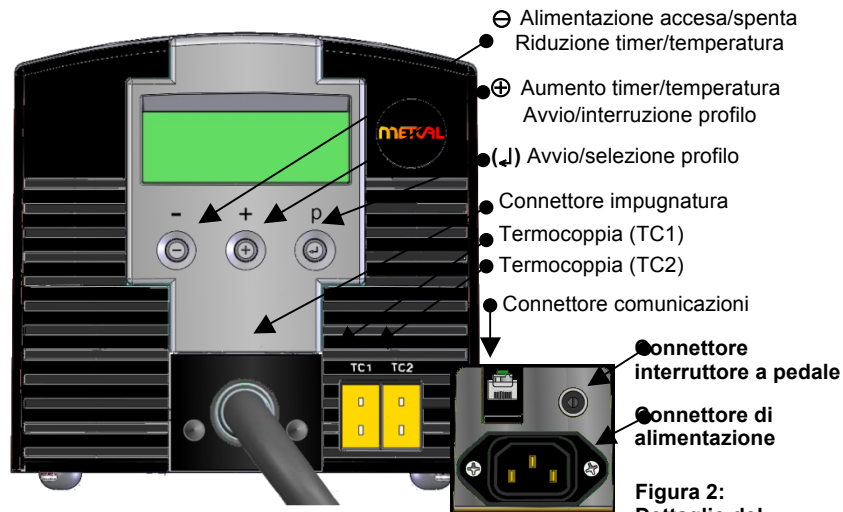


Figura 2:
 Dettaglio del pannello posteriore

Figura 3: Modalità esecutiva, prima dell'avvio del profilo

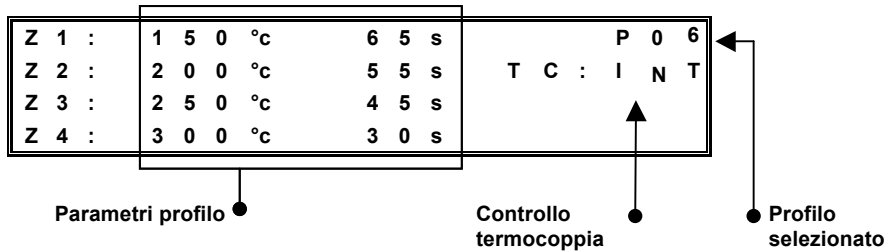
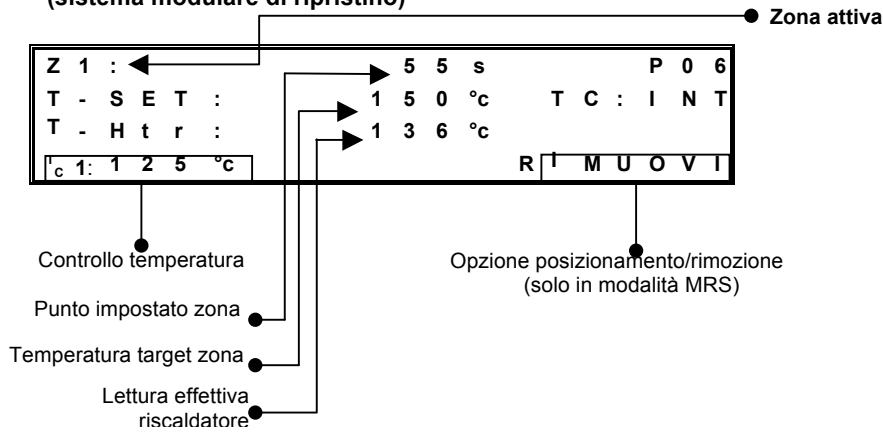


Figura 4: Modalità esecutiva, dopo l'avvio del profilo, modalità MRS (sistema modulare di ripristino)



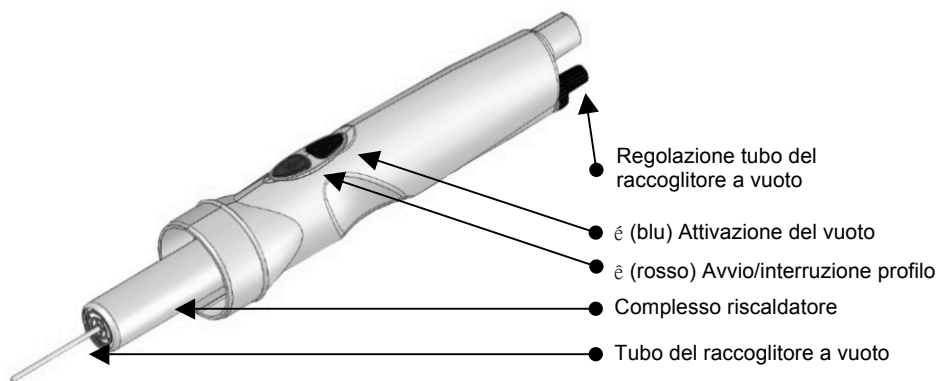


Figura 5: Impugnatura HCT-HV1

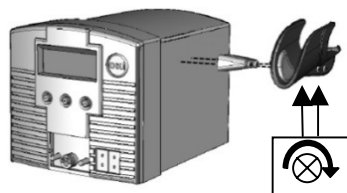


Figura 6 HCTA-TH1



Figura 7

4. Impostazione e funzionamento dell'unità

1. Impostazione di base dell'unità

1. Collegare l'impugnatura (HCT-HV1) all'alimentatore.
2. Inserire il cavo di alimentazione nel relativo connettore (Figura 2). Inserire la spina del cavo di alimentazione in una presa a parete che eroghi la tensione nominale di ingresso.
3. Accendere l'unità premendo brevemente il tasto di alimentazione \ominus .
4. Per interrompere un profilo (e passare alla zona di raffreddamento*) tenere premuto il tasto \hat{e} (rosso) sull'interruttore a pedale o il tasto \hat{e} (rosso) sull'impugnatura in modalità Esecuzione.
5. Una volta terminata la zona di raffreddamento, spegnere l'unità premendo brevemente il tasto di alimentazione \ominus . **Nota:** a tale scopo è necessario uscire dalla modalità di impostazione, ovvero non devono apparire cifre lampeggianti sul display.

2. Selezione della modalità di sistema

Lo strumento HCT-1000 offre due modalità operative di sistema.

- La prima modalità è **HCT**, che consente di utilizzare l'HCT-1000 come strumento portatile autonomo di ripristino per convezione.
- La seconda modalità è **MRS**, che consente di utilizzare l'HCT-1000 come parte del sistema di ripristino modulare (**MRS**). L'unità è collegata via cavo al preriscaldatore (PCT-1000) e può essere usata con il portastrumento regolabile ATH-1100A. In questa modalità, l'HCT-1000 provvede al controllo dei tempi per entrambe le unità e il portastrumento ATH-1100A consente di eseguire continue operazioni di posizionamento e rimozione.
- Collegare il cavo di comunicazione all'apposito connettore di comunicazione (Figura 2 sopra) sull'HCT-1000 e il preriscaldatore PCT-1000. In caso di collegamento in modalità MRS, sul display del PCT-1000 apparirà "- -".

- La selezione della modalità Sistema viene effettuata nella modalità di impostazione; per maggiori dettagli, fare riferimento alla sezione 3.1. Sono disponibili altre opzioni operative; per maggiori dettagli, fare riferimento alla sezione 3.5.

3. Selezione della modalità operativa

L'HCT-1000 ha quattro modalità operative: Impostazione, Esecuzione, Manuale e Impostazione attiva. La modalità Impostazione viene usata per modificare i parametri del sistema o del profilo. La modalità Esecuzione è utilizzata per azionare l'unità con un profilo che utilizza quattro zone di riscaldamento. La modalità Manuale è utilizzata per far funzionare l'unità con un'unica zona di riscaldamento e senza alcun limite di tempo. La modalità Impostazione attiva consente di cambiare i parametri in un profilo in esecuzione.

1. Modalità Impostazione

1. Premere una volta il tasto della modalità (↓) per far lampeggiare "P:".
2. Utilizzare i tasti ⊕ e ⊖ per scorrere i profili.
3. Premere il tasto (↓) per selezionare il profilo desiderato.
4. Tenere premuto il tasto (↓) per 3 secondi per attivare la modalità di programmazione (la prima temperatura della zona 1 inizia a lampeggiare).
5. **Per l'impostazione della modalità Esecuzione, andare al punto 3.1.6.1; per l'impostazione della modalità Manuale, andare al punto 3.1.7.1.**

6. Impostazione della modalità Esecuzione

1. Utilizzare i tasti ⊕ e ⊖ per modificare la temperatura e portarla sul valore desiderato. **Nota:** tenendo premuto il tasto ⊕ o ⊖ per 5 secondi il conteggio crescente o decrescente viene eseguito in modalità accelerata.
2. Dopo aver impostato il valore, premere il tasto (↓) per passare al parametro successivo.
3. Ripetere quanto indicato ai punti 3.1.6.1 e 3.1.6.2 fino a programmare il profilo. **Nota:** nella zona di raffreddamento, è possibile modificare solo il parametro relativo al tempo.
4. Passare al punto 3.1.8.

7. Impostazione della modalità Manuale

1. Utilizzare i tasti ⊕ e ⊖ per modificare la temperatura e portarla sul valore desiderato. **Nota:** tenendo premuto il tasto ⊕ o ⊖ per 5 secondi il conteggio crescente o decrescente viene eseguito in modalità accelerata.
2. Impostare il tempo per la zona 1 su un valore maggiore di 300 secondi. Il display visualizza la parola MANUAL (MANUALE) mentre Z2, Z3 e Z4 scompaiono dal display.
Nota: i profili della modalità manuale non hanno requisiti temporali e una volta attivati saranno eseguiti finché il profilo non viene interrotto. Tuttavia, durante il raffreddamento il profilo può essere riavviato in qualsiasi momento premendo ⊕ (o il tasto rosso sull'interruttore a pedale o sull'impugnatura).
8. Premere il tasto (↓) per passare al parametro successivo. Si tratta dell'opzione HCT o MRS. Utilizzare i tasti ⊕ o ⊖ per alternare tra HCT e MRS; premere il tasto (↓) per ignorare questa opzione.
9. Premere il tasto (↓) per passare al parametro successivo. Si tratta dell'opzione relativa alla termocoppia interna o esterna. Utilizzare i tasti ⊕ o ⊖ per alternare tra Int (Interna) e TC1; premere il tasto (↓) per ignorare questa opzione.
Nota: quando si seleziona TC1, questa diventa la termocoppia principale e fornisce il feedback all'alimentatore.
10. Premere il tasto (↓) per passare al parametro successivo. Si tratta dell'opzione Flusso d'aria (AF). Utilizzare ⊕ per aumentare o ⊖ per diminuire il flusso d'aria. I valori disponibili rientrano nella gamma 1-10.

Nota: la pompa per aria si accenderà durante la regolazione del flusso d'aria. Premere il tasto (↵) per ignorare questa opzione.

11. Premere (↵) per passare al parametro successivo. Questa è la funzione di blocco di sicurezza di cui i sistemi HCT-1000 sono dotati per prevenire possibili modifiche dei profili da parte degli operatori. Per attivare questa funzione, bisogna inserire un codice di 4 cifre nell'ambito dell'impostazione di un programma, come spiegato di seguito. Se il codice è impostato su 0000, i programmi non sono protetti.
 1. Quando C: 0000 appare sullo schermo, prepararsi ad impostare il codice di 4 cifre desiderato.
 2. Quando il primo numero lampeggia, utilizzare il tasto ⊖ o ⊕ per selezionare il numero desiderato.
 3. Premere (↵) e ripetere il punto 7 per tutte le cifre del codice.
 4. Tenere premuto il tasto (↵) per uscire dalla funzione di inserimento del codice.
 5. Da questo momento in poi, la modifica dei profili sarà possibile solo dopo aver inserito il corretto codice.

Note sul blocco di sicurezza:

- È possibile disattivare la protezione tramite codice andando nella modalità Programmazione, inserendo il codice attuale e impostandolo su "0000". Una volta completo questo passaggio, tutti gli operatori avranno pieno accesso a tutte le funzioni.
- Un codice protegge tutti i profili e non un singolo profilo.
- Se il codice viene smarrito o dimenticato, si dovrà utilizzare la funzione Master Reset, che ripristinerà i settaggi di fabbrica, **incluso l'azzeramento del codice di sicurezza.**

Funzione Master Reset:

Per resettare l'unità alle impostazioni di fabbrica, seguire il seguente procedimento:

- Tenere premuti ⊕ e (↵) contemporaneamente
- Mentre i tasti ⊕ e (↵) sono premuti, accendere l'unità tramite l'interruttore ⊖

NOTA: la funzione Master Reset cancella tutti i programmi memorizzati.

12. Dopo aver apportato le modifiche necessarie, tenere premuto per 3 secondi il tasto (↵), fino a quando lo schermo LCD smette di lampeggiare, per memorizzare il profilo e uscire dalla modalità di impostazione. Questa operazione può essere eseguita in qualsiasi momento mentre si è nella modalità Impostazione.

2. Modalità Esecuzione e Manuale

1. Accendere l'unità premendo il tasto di alimentazione ⊖.
2. Vengono visualizzati brevemente il messaggio di avvio HCT e il numero di revisione del software, quindi appaiono le impostazioni dell'ultimo profilo utilizzato. **Nota:** l'unità può mostrare MRS se questo è l'ultimo stato operativo utilizzato.
3. **IMPORTANTE:** se viene visualizzato "TC: TC1" sul pannello (vedere la Figura 4 sopra) assicurarsi che la termocoppia esterna sia posizionata in modo corretto lungo il percorso del calore. In caso contrario, potrebbero verificarsi un guasto prematuro al riscaldatore e possibili danni ai componenti lungo il percorso del calore.
4. Selezionare il profilo desiderato.
5. Quando viene visualizzato il profilo desiderato, premere il tasto (↵) per selezionarlo.

6. Per avviare il profilo, premere una volta il tasto \hat{e} (rosso) sull'interruttore a pedale oppure il tasto \hat{e} (rosso) sull'impugnatura.
7. Durante l'esecuzione del profilo appare la zona attuale, il tempo residuo, il valore del riscaldatore e il punto di regolazione della temperatura. Per i profili in modalità Manuale viene visualizzato "Manuale" e non sarà visualizzato il tempo residuo.
8. Per uscire dal profilo, tenere premuto il tasto \hat{e} (rosso) sull'interruttore a pedale oppure il tasto \hat{e} (rosso) sull'impugnatura. Il profilo passa alla zona di raffreddamento. Durante il raffreddamento il profilo può essere riavviato in qualsiasi momento premendo il tasto rosso sull'interruttore a pedale o sull'impugnatura.

3. Modalità Impostazione attiva

1. Selezionare il profilo da modificare attenendosi a quanto indicato ai punti 1 → 3 sopra.
2. Per attivare la modalità Impostazione attiva premere per 3 secondi il tasto (\downarrow), quindi premere il tasto \hat{e} (rosso) sull'interruttore a pedale oppure il tasto \hat{e} (rosso) sull'impugnatura non appena la temperatura in Z1 inizia a lampeggiare.
3. Il profilo viene avviato e sullo schermo LCD appare l'indicazione "SETUP" (IMPOSTAZIONE).
4. Per modificare la temperatura impostata per la zona corrente, utilizzare i tasti \oplus e \ominus .
5. Per *aumentare* il tempo per la zona corrente, tenere premuto il tasto (\downarrow) mentre la zona termina. Anziché passare alla zona successiva, l'impostazione del tempo per la zona corrente inizia ad aumentare rispetto al valore corrente fino a quando non si rilascia il tasto (\downarrow). Una volta rilasciato il tasto, il profilo passa alla zona successiva.*
6. Per *diminuire* il tempo della zona, premere il tasto \hat{e} (rosso) sull'interruttore a pedale oppure il tasto \hat{e} (rosso) sull'impugnatura fino al tempo desiderato. In tal modo, il tempo viene memorizzato e il profilo passa alla zona successiva.** **Nota:** i punti 3.4.5 e 3.4.6 possono essere eseguiti contemporaneamente.
7. Dopo aver apportato le modifiche necessarie, consentire al profilo di terminare. Per memorizzare il profilo e uscire dalla modalità Impostazione, tenere premuto il tasto (\downarrow), fino a quando lo schermo LCD smette di lampeggiare.
8. ***Nota:** questa funzionalità non è disponibile nella zona di raffreddamento.
9. ****Nota:** questa funzionalità NON è disponibile nella zona di raffreddamento. Premendo il tasto rosso sull'interruttore a pedale o sull'impugnatura si ritornerà alla Zona 1. Se sono necessarie delle modifiche al tempo per la zona di raffreddamento, queste dovranno essere effettuate nell'impostazione della modalità Esecuzione (punto 3.1.5).

5. Altre caratteristiche

1. Raccogliatore a vuoto integrato

Il tubo del raccogliatore a vuoto ha una corsa di 25,4 mm ed è caricato a molla per evitare danni ai componenti durante l'attacco.

Utilizzare una ventosa di dimensioni appropriate in modo da ottenere una tenuta sul componente.

2. Modalità di sistema HCT

1. Premere una volta il tasto \hat{e} (blu) sull'interruttore a pedale oppure sull'impugnatura per attivare la pompa a vuoto; premere di nuovo per disattivarla.

- 3. Modalità di sistema MRS (Selezione di posizionamento o rimozione)**
1. Per alternare tra posizionamento e rimozione, tenere premuto per 3 secondi il tasto ϵ (blu) sull'interruttore a pedale oppure sull'impugnatura.
- 4. Modalità di sistema MRS (Posizionamento)**
1. Premere il tasto ϵ (blu) sull'interruttore a pedale oppure sull'impugnatura per attivare la pompa a vuoto; premere di nuovo per disattivarla.
- 5. Modalità di sistema MRS (Rimozione)**
1. Il raccogliatore a vuoto integrato attiva automaticamente il vuoto e recupera il tubo del raccogliatore a vuoto al termine della zona 4 (Z4) in modalità Esecuzione. Il vuoto sarà attivo per la durata della zona di raffreddamento (ZC).
- 6. Modalità sistema MRS – Indicatore di vuoto volumetrico**
1. Sul display verrà visualizzato VAC quando è stato attivato il vuoto in modalità Impostazione o Esecuzione (Figura 4). La dicitura VAC lampeggia quando è stata raggiunta una tenuta positiva con il componente.
- 7. Controllo termocoppia esterna**
1. Quando si usa l'HCT-1000 con la termocoppia esterna (TC1, vedere la Figura 4 sopra), la TC1 viene usata per il controllo del feedback esterno. Assicurarsi che la termocoppia sia posizionata lungo il percorso del calore. In caso contrario, si possono verificare errori o danni al componente. La TC2 può essere usata per il monitoraggio della temperatura (fare riferimento al punto 1.5.7).
 2. Quando si usa l'HCT-1000 con termocoppie esterne in modalità MRS, la TC1 sull'HCT-1000 diventa la termocoppia principale e viene usata per fornire il feedback esterno per il tutto il sistema. La TC2 sull'HCT-1000 e la TC1 e la TC2 sull'impugnatura PCT-1000 possono essere usate solamente per il monitoraggio della temperatura (fare riferimento al punto 1.9).
- 8. Monitoraggio della temperatura**
1. Quando si utilizza l'HCT-1000 con una termocoppia interna (INT, vedere la Figura 3 sopra), le due termocoppie esterne TC1 e TC2 possono essere utilizzate per il monitoraggio della temperatura.
 2. Collegare una termocoppia a TC1 e/o a TC2 e all'area da monitorare. Dopo il collegamento, la termocoppia corrispondente verrà visualizzata (vedere la Figura 4 sopra).
- 9. Calibrazione dell'ingresso TC1:**
- **E' possibile calibrare l'ingresso TC1 con la seguente procedura**
2. Collegare un misuratore di temperatura calibrato su TC1
 3. Eseguire un profilo completo per stabilizzare le temperature interne dell'unità
 4. Per entrare nella modalità Calibrazione, tenere premuti i tasti \ominus e (\downarrow) per cinque secondi
 5. Questa operazione consente di entrare nella modalità Calibrazione
 6. Regolare la temperatura tramite i tasti + e - in modo che combaci con il calibratore esterno
 7. Premere (\downarrow) per uscire dalla modalità Calibrazione e tornare alla normale modalità Esecuzione.

6. Attacco dell'ugello

1. Collegamento dell'adattatore per ugello (HNA-1) al riscaldatore

1. Allentare la vite del morsetto facendola girare in senso antiorario (Figura 6, 1).
2. Chiudere il morsetto (Figura 6, 2).
3. Infilare l'adattatore per ugello nel riscaldatore (Figura 5) finché non scatta in sede.
4. Serrare la vite del morsetto facendola girare in senso orario (Figura 6, 1) per fissare saldamente l'adattatore al riscaldatore.

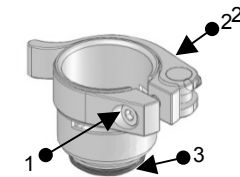


Figura 8: Adattatore per ugello (HNA-1)

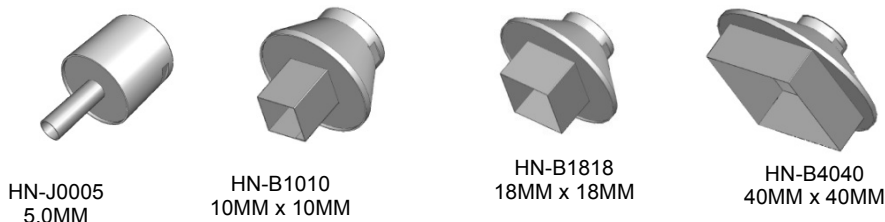
Dopo la regolazione, si può rimuovere l'adattatore aprendo il morsetto e sfilandolo dal riscaldatore.

2. Collegamento dell'ugello all'adattatore

1. Selezionare l'ugello appropriato per l'applicazione.
2. Per attaccare l'ugello, avvitare l'ugello all'apposito adattatore (Figura 6, 3); serrare in senso orario con l'apposita chiave per ugello.
3. Per rimuovere l'ugello, svitare l'ugello dall'apposito adattatore (Figura 6, 3) e allentare l'ugello facendolo girare in senso antiorario con l'apposita chiave.

3. Selezione dell'ugello

1. Selezionare l'ugello di dimensioni appropriate per l'applicazione. Questo è solo un campione degli ugelli disponibili. Per l'assortimento completo, fare riferimento alla guida di selezione degli ugelli per HCT-1000 oppure visitare il nostro sito web all'indirizzo www.metcal.com.



7. Funzionamento

1. Dissaldatura dei componenti tramite convezione

1. Selezionare l'ugello appropriato e fissarlo all'adattatore.
2. Impostare il profilo desiderato.
3. Avvicinare l'ugello ai collegamenti dei componenti, mantenendo una distanza di 3-5 mm. Usare aria calda per fondere la saldatura.
4. Quando la saldatura è sciolta, usare il vuoto integrato, le pinze o altri utensili appropriati per staccare il componente dalla scheda di circuito.

2. Saldatura dei componenti tramite convezione

1. Scegliere l'ugello appropriato e fissarlo all'adattatore.
2. Applicare la quantità giusta di saldatura alla scheda di circuito, quindi posizionare il componente sulla scheda.
3. Impostare il profilo desiderato.
4. Avvicinare l'ugello ai collegamenti del componente, soffiare aria calda sui collegamenti e fondere la saldatura.

8. Risoluzione dei problemi più comuni

1. L'unità non si accende.
 - Controllare il cavo di alimentazione.
 - Controllare che vi sia tensione di rete.
2. Lo schermo LED visualizza **OH**.
 - L'unità ha superato il valore di cut-off di sicurezza.

- Lasciare che l'unità si raffreddi.
 - Controllare la posizione della termocoppia (se pertinente).
 - Reimpostare l'unità spegnendo e riaccendendo l'alimentazione.
3. Lo schermo LED visualizza **TCFAULT**.
- Controllare la posizione della termocoppia.
 - Assicurarsi che la termocoppia sia inserita saldamente nel connettore TC corretto.
 - Sostituire la termocoppia se il problema non si risolve.
4. I parametri relativi alla zona e alla temperatura lampeggiano in modalità Esecuzione.
- Significa che l'unità non può utilizzare i tempi e le temperature impostati.

9. Manutenzione

L'impugnatura (HCT-HV1) è inclusa nel programma Service Exchange di OK International, mentre il riscaldatore (HCT-HTRASSY) può essere ordinato separatamente come parte di ricambio.

Visitare la pagina web di OK International (www.metcal.com) per tutte le informazioni su sistemi, accessori, note tecniche e altro ancora.

INTRODUCCIÓN

La unidad HCT-1000 es una herramienta de mano para trabajos de rectificación por convección. Posee controles digitales, varios modos de funcionamiento, control de retroalimentación interno o externo y sistema integrado de recogida por vacío para retirar y colocar los componentes. Además, esta unidad se puede conectar al PCT-1000 como parte del Sistema de rectificación modular.

CONTENIDO

1.	Seguridad y garantía	40
2.	Especificaciones	41
3.	Identificación de la unidad	42
4.	Configuración y funcionamiento de la unidad	43
5.	Características adicionales	46
6.	Información sobre boquillas	48
7.	Funcionamiento	48
8.	Solución de problemas	49
9.	Mantenimiento	49

SEGURIDAD

Uso previsto:

ADVERTENCIA: el uso de este equipo de maneras distintas a las descritas en esta Guía del usuario puede resultar en lesiones personales o daños materiales. Utilice este equipo únicamente como se describe en esta Guía del usuario.

OK International no se hace responsable de las lesiones o daños resultantes del uso de este equipo de maneras no previstas. Los usos no previstos pueden originarse cuando:

- Se realizan modificaciones en el equipo no recomendadas en la Guía del usuario
- Se utilizan repuestos incompatibles o dañados
- Se utilizan accesorios o equipos auxiliares no aprobados

Precauciones de seguridad:

- No opere esta unidad superando su respectiva capacidad y parámetros de servicio máximos
- Utilice en todo momento la ropa y el equipo de protección personal apropiados
- Este equipo es para uso exclusivo en interiores

Garantía

OK International garantiza la fuente de alimentación de la herramienta de rectificación por convección HCT-1000 contra cualquier defecto de materiales o mano de obra por un (1) año desde la fecha de compra por el propietario original.

OK International garantiza la herramienta de mano para trabajos de rectificación por convección HCT-1000 contra cualquier defecto de materiales o mano de obra por un (1) año desde la fecha de compra por el propietario original.

OK International garantiza el conjunto del calentador HCT-1000 (HCT-HTRASSY) contra cualquier defecto de materiales o mano de obra por noventa (90) días desde la fecha de compra por el propietario original.

Esta Garantía excluye el mantenimiento normal y no tendrá validez si el artículo fue abierto, mal empleado, mal utilizado, alterado o dañado. Si el producto presenta defectos dentro del período de garantía, OK International lo reparará o lo reemplazará sin cargo, a su exclusivo criterio. El repuesto será enviado, con flete prepago, al comprador original. El período de garantía comenzará a partir de la fecha de compra. Si no se puede comprobar la fecha de compra, se utilizará la fecha de fabricación como la fecha de inicio del período de garantía.

2. ESPECIFICACIONES DE LA UNIDAD HCT-1000

Tamaño	9" x 7" x 6" (229 mm x 178 mm x 152 mm)
Peso	12 libras (5,44 kg)
Voltaje de la línea de entrada	100-240 v ca, 50/60 Hz
Consumo de energía	600 W
Categoría de grado de contaminación	II
Temperatura de almacenamiento	De -10° C a 60° C (14° F a 140° F)
Temperatura de operación	De 0° C a 50° C (32° F a 122° F)
Tipo de bomba de aire	Diafragma
Circulación de aire	5 a 25 l/m
Bomba de vacío	15" Hg (381 mm Hg)
Temperatura de control	450°C
Resistividad superficial	10 ⁷ Ω a 10 ¹¹ Ω
Nivel de ruido	< 55 dB
Certificaciones	TUV
Humedad relativa máxima	80% para una temperatura máxima de 31° C (87,8° F) con una disminución lineal hasta alcanzar el 50% de humedad relativa a 40° C (104° F)
Modos del sistema	HCT, MRS
Modos de funcionamiento	Configuración, ejecución, manual, configuración activa
Ubicaciones de memoria	50
Pantalla	LCD, segmentos de pantalla de 20 X 4

El sistema incluye	Descripción
HCT-PS1000	Fuente de alimentación de HCT-1000
HCT-HV1	Unidad manual con generador de vacío integrado, cable y conector
HCTA-TH1	Soporte para la unidad manual
HNA-1	Adaptador de boquilla
HCTA-NW1	Llave para boquilla
CONJUNTO HCTA-VC	Conjunto de copas de vacío (4), 3/16", 1/4", 5/16", 7/16"
AC-TCK-36-36	Termocupla 36 AWG
HCTA-CC	Cable de comunicaciones
HN-J0005	Boquilla de 5 mm de diámetro
Accesorios	
HCTA-VC24	Ventosa de vacío, 3/32" (2,38 mm)
HCTA-VC50	Ventosa de vacío, 3/16" (5 mm)
HCTA-VC64	Ventosa de vacío, 1/4" (6,4 mm)
HCTA-VC80	Ventosa de vacío, 5/16" (8 mm)
HCTA-VC11	Ventosa de vacío, 7/16" (11 mm)
AC-TCK-40-36	Termocupla 40 AWG
HCT-HTRASSY	Conjunto del calentador
HCT-FS2	Interruptor de pedal, dual, HCT-1000
HCT-NC	Portaboquilla, boquillas HCT-1000

3. Identificación de la unidad
Figura 1. Fuente de alimentación HCT-PS1000

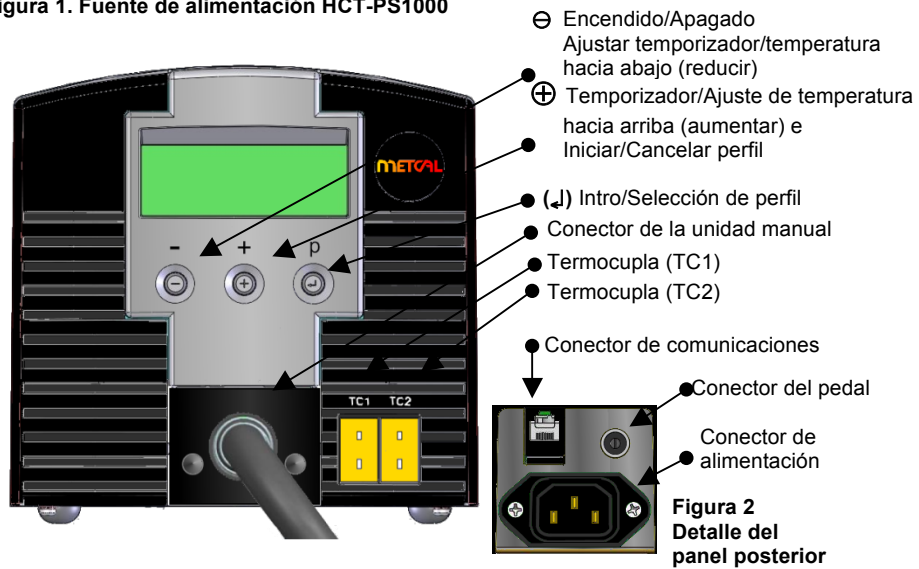


Figura 3: Modo de ejecución, antes de iniciar el perfil

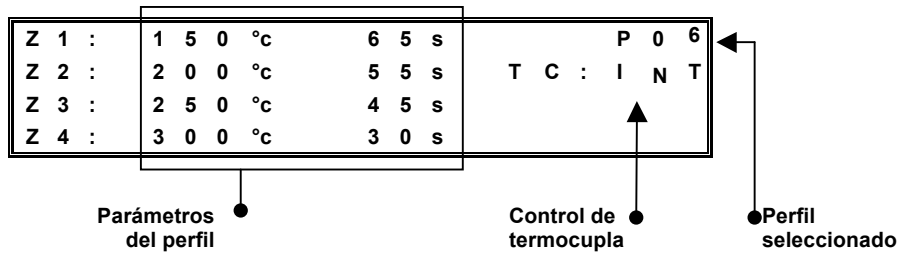
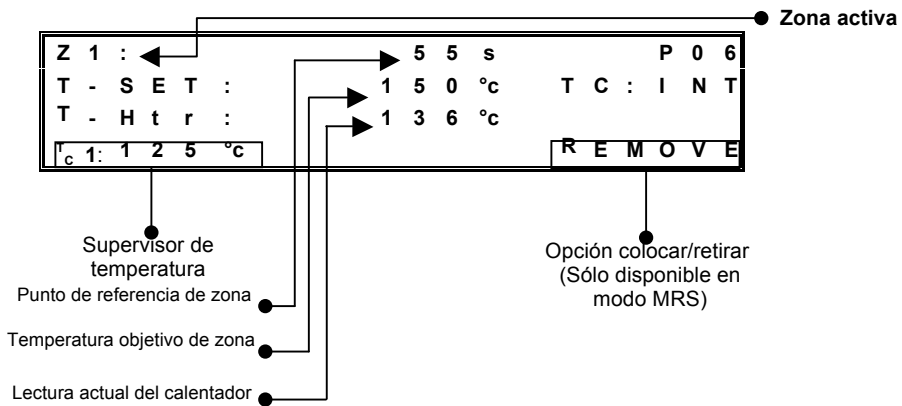


Figura 4: Modo de ejecución, después de iniciar el perfil, Modo MRS



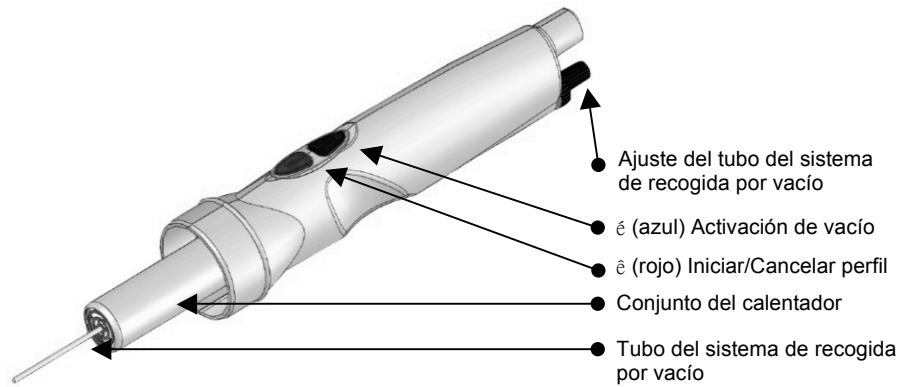


Figura 5. Conjunto de la unidad manual HCT-HV1



4. Configuración y funcionamiento de la unidad

1. Configuración básica de la unidad

1. Conecte el conjunto de unidad manual, HCT-HV1, a la fuente de alimentación.
2. Enchufe el cable de alimentación al conector de alimentación (Figura 2).
Conecte el cable de alimentación a un tomacorriente de pared con conexión a tierra que tenga el voltaje de línea de entrada apropiado.
3. Encienda la unidad presionando el botón de encendido \ominus por un momento.
4. Para cancelar un perfil (en la zona de enfriamiento*) mantenga presionado el botón \blacktriangledown (rojo) del interruptor de pedal o el botón \blacktriangledown (rojo) de la unidad manual estando en el modo de ejecución.
5. Apague la unidad presionando el botón de encendido \ominus por un momento.

Nota: la unidad no debe estar en el modo de configuración para realizar las tareas descritas, es decir, en la pantalla no debe haber números parpadeantes.

2. Selección del modo de sistema

La unidad HCT-1000 tiene dos modos de funcionamiento.

- El primero es **HCT**. En este modo, la HCT-1000 funciona como una herramienta de rectificación por convección de mano autónoma.
- El segundo modo es **MRS**, en el que la HCT-1000 se usa como parte de un Sistema de rectificación modular (MRS, por sus siglas en inglés). La unidad se conecta por cable a la fuente PCT-1000 y se puede usar con el soporte para herramienta ajustable ATH-1000. En este modo, la HCT-1000 proporciona control de sincronización para ambas unidades y el ATH-1000 permite realizar operaciones de colocación y reemplazo por repetición.

- Enchufe el cable de comunicaciones al conector de comunicaciones (Figura 2 anterior) de la HCT-1000 y el PCT-1000. Cuando se lo conecta en el modo MRS, el ajuste de duración del PCT-1000 mostrará "-.-".
- La selección del modo de sistema se realiza en el modo de configuración; consulte la sección 3.1. Existen otras opciones de funcionamiento; consulte la sección 3.5.

3. Selección del modo de funcionamiento

La unidad HCT-1000 tiene cuatro modos de funcionamiento: configuración, ejecución, manual y configuración activa. El modo de configuración se usa para modificar los parámetros del sistema o del perfil. El modo de ejecución se utiliza para operar la unidad con un perfil que emplea cuatro zonas de calentamiento. El modo manual se usa para operar la unidad con una sola zona de calentamiento y sin límite de tiempo. El modo de configuración activa permite modificar los parámetros del perfil mientras está en uso.

1. Modo de configuración

1. Presione el botón Modo (↵) una vez para que "P:" comience a parpadear.
2. Use los botones ⊕ / ⊖ para recorrer los perfiles.
3. Presione (↵) para seleccionar el perfil deseado.
4. Mantenga presionado el botón (↵) por tres segundos para activar el modo de programación (la primera temperatura de la zona 1 comenzará a parpadear).
5. **Para la configuración del modo de ejecución, continúe con el paso 3.1.6.1; para la configuración del modo manual, continúe con el paso 3.1.7.1.**

6. Configuración del modo de ejecución

1. Use los botones ⊕ / ⊖ para cambiar la temperatura al valor deseado. (**Nota:** si presiona continuamente el botón ⊕ o el botón ⊖ durante cinco segundos, el valor ascenderá o descenderá de forma acelerada)
2. Una vez definido el valor, presione (↵) para pasar al parámetro siguiente.
3. Repita los pasos 3.1.6.1 y 3.1.6.2 hasta terminar de programar el perfil. **Nota:** en la zona de enfriamiento, sólo se puede modificar el parámetro de duración.
4. Continúe con el paso 3.1.8.

7. Configuración del modo manual

1. Use los botones ⊕ / ⊖ para cambiar la temperatura al valor deseado. (**Nota:** si presiona continuamente el botón ⊕ o el botón ⊖ durante cinco segundos, el valor ascenderá o descenderá de forma acelerada).
2. Defina la duración para la zona 1 en un valor superior a los 300 segundos. La pantalla mostrará la palabra MANUAL y Z2, Z3, Z4 ya no se verán en la pantalla.
Nota: los perfiles del modo manual no poseen requisitos de duración y, una vez activados, se ejecutan hasta que se detenga el perfil. Sin embargo, durante la zona de enfriamiento, se puede reiniciar el perfil en cualquier momento presionando (o el botón rojo del interruptor de pedal o la unidad manual). Hechos los cambios necesarios, mantenga presionado el botón (↵) por tres segundos hasta que la pantalla LCD deje de parpadear, para definir el perfil en la memoria y salir del modo de configuración.
8. Presione (↵) para continuar con el parámetro siguiente. Ésta es la opción **HCT** o **MRS**. Use los botones ⊕ o ⊖ para alternar entre **HCT** o **MRS** o bien, presione (↵) para pasar por alto este parámetro.

9. Presione (**↓**) para continuar con el parámetro siguiente. Ésta es la opción TC interna o externa. Use los botones **⊕** o **⊖** para alternar entre **Int** y **Ext** o bien, presione (**↓**) para pasar por alto este parámetro. Nota: Cuando se selecciona EXT, TC1 se convierte en la termocupla maestra y proporciona retroalimentación a la fuente de alimentación.
10. Presione (**↓**) para continuar con el parámetro siguiente. Ésta es la opción de circulación de aire (**AF**). Use los botones **⊕** o **⊖** para aumentar o reducir la circulación de aire respectivamente. El intervalo se puede ajustar de 1 a 10. Obsérvese que la bomba de aire se encenderá ajustando la circulación de aire. Presione (**↓**) para pasar por alto este parámetro.
11. Hechos los cambios necesarios, mantenga presionado el botón (**↓**) por tres segundos hasta que la pantalla LCD deje de parpadear, para definir el perfil en la memoria y salir del modo de configuración. (Véase la Figura 1 anterior)
 1. Cuando aparece en la pantalla C: 0000 en la pantalla, puede seleccionar un código pase de 4 dígitos.
 2. Cuando parpadea el primer dígito, use los botones **⊖** o **⊕** para seleccionar el número deseado.
 3. Presione (**↓**) y repita el paso 2 para todos los dígitos.
 4. Mantenga presionado (**↓**) para salir de entrar código.
 5. Desde este punto, usted sólo puede editar perfiles después de entrar el código correcto.

Notas sobre Bloqueo de Seguridad:

- Puede 'desactivar' la protección de código pase yendo primero al modo Programa, ingresando el código actual y luego fijando el nuevo código en '0000' – Ahora todos los usuarios tienen acceso pleno a todas las funciones del programa.
- Un código protege todos los perfiles, no perfiles aislados.
- Si se pierde o se olvida el código pase, la función Reposición Maestra repondrá los valores de fábrica por defecto **borrando incluso el código pase.**

Función Reposición Maestra.

Para reponer la unidad a los valores de fábrica, puede seguir este procedimiento.

- Mantenga presionado **⊕** y (**↓**)
- Mientras **⊕** y (**↓**) están presionados, encienda la unidad usando **⊖**

NOTA: El uso de la función reposición maestra borrará todos los programas almacenados.

12. Hechos los cambios necesarios, mantenga presionado el botón (**↓**) por tres segundos hasta que la pantalla LCD deje de parpadear, para definir el perfil en la memoria y salir del modo de configuración. Esta operación puede accionarse en cualquier paso mientras se está en el Modo Configuración.

2. Modo de ejecución y manual

1. Encienda la unidad presionando el botón de encendido **⊖**.
2. Aparecen el mensaje de inicio de HCT y el número de revisión del software antes de que se indique la configuración del último perfil utilizado. **Nota:** la unidad puede mostrar MRS-1000 si ése fue el último estado de funcionamiento.
3. **IMPORTANTE** ~ Si "TC: **Ext**" se muestra en el panel (véase la Figura 4, anterior) asegúrese de que la termocupla externa esté correctamente

colocada en la trayectoria del calor. De lo contrario, el calentador podría dejar de funcionar prematuramente.









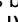
4. Seleccione el perfil de su interés.
5. Cuando aparezca el perfil elegido, presione (**↓**) para seleccionarlo.
6. Para iniciar el perfil, presione el botón **↓** (rojo) del interruptor de pedal o el botón **↓** (rojo) de la unidad manual una vez.
7. Mientras se ejecuta el perfil, se mostrará la zona actual, el tiempo restante, el valor del calentador y el punto de referencia de temperatura. Los perfiles del modo manual mostrarán "Manual" y no indicarán el tiempo restante.
8. Para salir del perfil, presione el botón **↓** (rojo) del interruptor de pedal o el botón **↓** (rojo) de la unidad de mano continuamente por tres segundos. El perfil pasará directamente a la zona de enfriamiento. **Nota:** Si repite el paso 8, se desactivará la zona de enfriamiento después de un mínimo de 60 segundos de enfriamiento.

3. Modo de configuración activa

1. Seleccione el perfil que se modificará según se indica en los pasos 1 → 3 anteriores.
2. Para activar el modo de configuración activa, presione (**↓**) durante tres segundos y, a continuación, presione el botón **↓** (rojo) del interruptor de pedal o el botón **↓** (rojo) de la unidad manual una vez que la temperatura en Z1 haya comenzado a parpadear.
3. Se iniciará el perfil y se leerá "SETUP" (Configuración) en la pantalla LCD.
4. Para modificar la temperatura definida para la zona actual, use los botones **⊕** / **⊖**.
5. Para *augmentar* el tiempo de duración de la zona actual, mantenga presionado el botón (**↓**) cuando la zona está por finalizar. En lugar de pasar a la zona siguiente, el tiempo de duración de la zona actual se incrementará por el tiempo que mantenga presionado el botón (**↓**). Al soltar el botón, el perfil avanzará a la zona siguiente. *
6. Para salir del perfil, presione el botón **↓** (rojo) del interruptor de pedal o el botón **↓** (rojo) de la unidad de mano en el momento deseado. Así, la duración se definirá en la memoria y el perfil avanzará a la zona siguiente.* **Nota:** los pasos 4 y 5 se pueden realizar simultáneamente.
7. Hechos los cambios necesarios, espere hasta que el perfil finalice. Mantenga presionado el botón (**↓**) hasta que la pantalla LCD deje de parpadear para definir el perfil en la memoria y salir del modo de configuración.
8. ***Nota:** esta función no está disponible en la zona de enfriamiento.
9. ****Nota:** esta función NO está disponible en la zona de enfriamiento. Presionando un botón rojo del interruptor de pedal o unidad manual volverá a la Zona 1 nuevamente. Si se tuviera que hacer ajustes de tiempo en la zona de enfriamiento, deben ejecutarse en la Configuración del Modo Ejecución (paso 3.1.5)

5. Características adicionales

1. **Sistema de recogida por vacío integrado**
El tubo de recogida por vacío tiene 1" (25,4 mm) de recorrido y está accionado por resorte para evitar daños a los componentes durante la conexión.
Utilice una ventosa de vacío del tamaño adecuado para crear un sello hermético en el componente.
2. **Modo de sistema HCT**

1. Presione el botón  (azul) del interruptor de pedal o el botón  (azul) de la unidad manual una vez para activar la bomba de vacío; vuelva a pulsar los botones para desactivarla.
3. **Modo de sistema MRS: selección de colocación o retiro**
 1. Para alternar entre colocar y retirar; mantenga presionado el botón  (azul) del interruptor de pedal o el botón  (azul) de la unidad manual por tres segundos.
4. **Modo de sistema MRS: colocación**
 1. Presione el botón  (azul) del interruptor de pedal o el botón  (azul) de la unidad manual una vez para activar la bomba de vacío; vuelva a pulsar los botones para desactivarla.
5. **Modo de sistema MRS: retiro**
 1. El sistema de recogida por vacío integrado activará automáticamente el vacío y retraerá el tubo de recogida por vacío al término de la zona 4 (Z4) en el modo de ejecución. El vacío permanecerá activado por el tiempo que dura la ZC (zona de enfriamiento).
6. **Modo de sistema MRS: indicador de vacío positivo**
 1. Se verá VAC cuando se haya activado el vacío en el modo de configuración o de ejecución (Figura 4). El término VAC parpadeará cuando se haya logrado un sello positivo con el componente.
7. **Control de termocupla externa**
 1. Cuando se usa la HCT-1000 con la termocupla externa (EXT, véase la Figura 4 anterior), se usa TC1 para proporcionar control de retroalimentación externa. Asegúrese de que la termocupla se encuentre en la trayectoria del calor. De lo contrario, es posible que se produzca un error o que se dañe el componente. TC2 se puede usar para supervisar la temperatura (consulte el paso 1.5.7).
 2. Cuando se usa la HCT-1000 con termocuplas externas en el modo MRS, TC1 en HCT-1000 se convierte en la termocupla maestra y se usa para proporcionar retroalimentación externa para todo el sistema. TC2 en la HCT-1000 y TC1 y TC2 en el PCT-1000 se pueden usar solamente para supervisar la temperatura (consulte la sección 1.9 y la Guía del usuario de PCT-7000-2420, sección 4.4).
8. **Supervisión de la temperatura**
 1. Mientras se usa la HCT-1000 con la termocupla interna (INT, véase la Figura 3 anterior), TC1 y TC2, las termocuplas externas se pueden usar para supervisar la temperatura.
 2. Conecte una termocupla a TC1 o a TC2 y conecte al área que desea supervisar. Hecha la conexión, en pantalla se verá la termocupla correspondiente (véase la Figura 4 anterior):
9. **Calibración de la entrada a TC1.**
 1. **La entrada a TC1 puede calibrarse mediante el siguiente procedimiento.**
 - Conecte a la TC1 una caja de control de entrada de temperatura calibrada.
 - Ejecute un perfil completo para verificar que las temperaturas internas de las unidades están estables.
 - Para seleccionar el modo calibración, mantenga presionados los botones  y  durante cinco segundos.
 - Así pasará a un modo de calibración.
 - Ajuste la temperatura adecuada para la caja de calibración externa usando los botones + y –.
 - Presione  para volver al modo de ejecución normal.

6. Colocación de la boquilla

1. Fije el adaptador de boquilla (HNA-1) al conjunto del calentador.
 1. Afloje los tornillos de la abrazadera en el sentido contrario a las agujas del reloj (Figura 6, 1).
 2. Cierre la abrazadera (Figura 6, 2).
 3. Deslice el adaptador de la boquilla hacia arriba por el conjunto del calentador (Figura 5) hasta que llegue al tope.
 4. Ajuste el tornillo de la abrazadera en el sentido de las agujas del reloj (Figura 6, 1) para que el adaptador quede firmemente colocado en el conjunto del calentador. Una vez ajustado, para retirar el adaptador abra la abrazadera y deslice el adaptador para retirarlo del conjunto del calentador.
2. Adaptador de boquilla a boquilla
 1. Seleccione la boquilla adecuada para la aplicación.
 2. Para fijarla, atornille la boquilla al adaptador de boquilla (Figura 6, 3), ajuste en el sentido de las agujas del reloj con la llave para boquilla.
 3. Para retirarla, desatornille la boquilla del adaptador de boquilla (Figura 6, 3), afloje en el sentido contrario a las agujas del reloj con la llave para boquilla.
3. Selección de la boquilla
 1. Seleccione la boquilla del tamaño adecuado para la aplicación. Ésta es apenas una muestra de las boquillas disponibles. Consulte la Guía de selección de boquillas de HCT-1000 o visite nuestro sitio web www.metcal.com para conocer la selección completa.

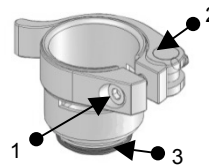
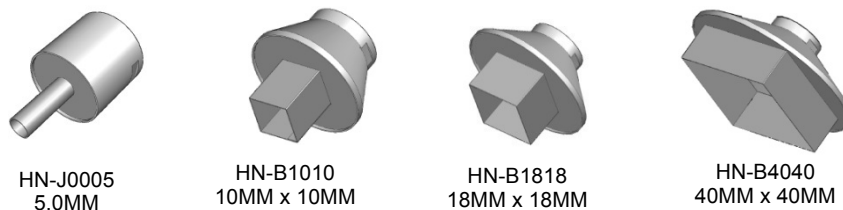


Figura 8: Adaptador de boquilla (HNA-1)



7. Funcionamiento

1. **Desoldadura de componentes mediante calor por convección**
 1. Seleccione la boquilla adecuada y fíjela al adaptador.
 2. Seleccione el perfil de su interés.
 3. Coloque la boquilla cerca de los conectores del componente, mantenga una distancia de 3 a 5 mm. Use aire caliente para fundir el material de soldadura.
 4. Cuando se ha fundido el material de soldadura, use la herramienta de vacío integrada, pinzas u otra herramienta adecuada para retirar el componente de la placa de circuitos.
2. **Soldadura de componentes mediante calor por convección**
 1. Seleccione la boquilla adecuada y fíjela al adaptador.
 2. Aplique la cantidad adecuada de material de soldadura sobre la placa de circuitos, coloque el componente sobre la placa.
 3. Seleccione el perfil de su interés.

4. Acerque la boquilla a los terminales de los componentes, inyecte aire caliente sobre los terminales y funda el material de soldadura.

8. Solución de problemas

1. La unidad no se enciende.
 - Revise el cable de alimentación.
 - Verifique que haya suministro de energía.
2. La pantalla LED muestra **OH**.
 - La unidad ha superado el valor de corte de seguridad interno.
 - Deje enfriar la unidad.
 - Revise la ubicación de la termocupla (si se usó una).
 - Restaure la unidad apagándola y volviéndola a encender.
3. En la pantalla LED se lee **TCFAULT** (Error de termocupla).
 - Verifique la ubicación de la termocupla.
 - Asegúrese de que la termocupla esté firmemente insertada en el conector TC correcto.
 - Reemplace la termocupla si el problema subsiste.
4. Los parámetros de duración y temperatura parpadean en el modo de ejecución.
 - Indica que la unidad no puede satisfacer la duración y la temperatura programadas.

9. Mantenimiento

La unidad manual (HCT_HV1) formará parte del Programa de intercambio de servicios de OK International; el conjunto del calentador (HCT-HTRASSY) se puede comprar por separado como pieza de repuesto.

Visite la página web de OK International en (www.metcal.com) donde encontrará más información sobre sistemas, puntas, accesorios, notas técnicas y mucho más.

7000-2931_B